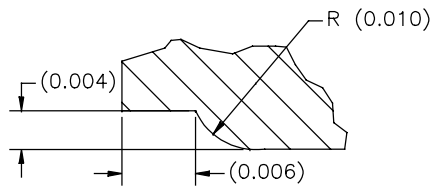
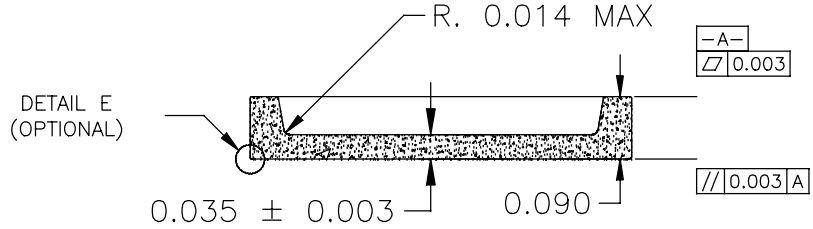
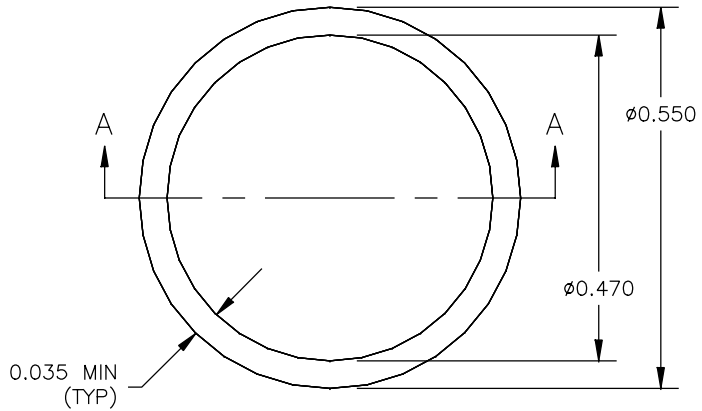


REVISIONS			
REV	BY	DESCRIPTION	DATE
NC	IVAN	RELEASED	3-19-98
A	CAN L	CHANGED DRAWING FORMAT	3-30-98
B	BLYTH	REVISED PER ECR 1964-000329	3-29-00



**DETAIL E  
OPTIONAL EDGE**

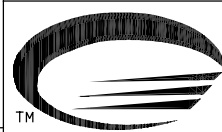


**SECTION  
A-A**

APPROVAL SIGNATURES		DATE
Configuration Control		
Customer Service		
Purchasing		
Quality Assurance		

QTY	ITEM	MATERIAL
-	-	WHITE ALUMINA

TOLERANCES ARE IN INCHES:  
(UNLESS OTHERWISE SPECIFIED)  
FRACTIONS:  $\pm 1/16"$   
DECIMALS: X.XX =  $\pm 0.01$   
              X.XXX =  $\pm 0.005$   
 $\pm 1'$   $\pm 1/32"/FT.$   
 $\square$  0.003"/IN.  
DRAFT  $\leq 14'$  MAX.  
RADI: 0.003 MAX



THIS DRAWING CONTAINS INFORMATION THAT IS CONFIDENTIAL AND PROPRIETARY PROPERTY OF R.J.R. POLYMERS, INC., AND ITS DESIGN, DETAIL AND INVENTION, ARE THE PROPERTY OF R.J.R. POLYMERS, INC., SUBMITTED TO THE RECIPIENT IN CONFIDENCE AND SHALL NOT BE COPIED IN ANY MANNER NOR DISCLOSED TO ANY OUTSIDE PARTY WITHOUT THE EXPRESS WRITTEN CONSENT OF AN AUTHORIZED OFFICER OF THIS COMPANY. THEY SHALL BE USED EXCLUSIVELY FOR REFERENCE WORK ON CONTRACTS OR PROPOSALS SUBMITTED BY R.J.R. POLYMERS, INC. AND SHALL BE RETURNED ON REQUEST. THIS DRAWING MUST BE KEPT ONLY IN THE CONFIDENTIAL FILES OF R.J.R. POLYMERS, INC., WHEN NOT IN USE. ALL RIGHTS RESERVED.

**RJR POLYMERS, INC**  
7875 EDGEWATER DR., OAKLAND, CA. 94621

CADFILE:  
Q:\DRAWINGS\...\1964\B\1964B.DWG  
CLIENT #

0.550 ROUND  
WHITE CERAMIC LID

DATE	SCALE	DRAWN BY	DWG SIZE	CHECKED BY	PART/DWG #	REV	1
3-29-00	NTS	DWB	A		1964	B	1