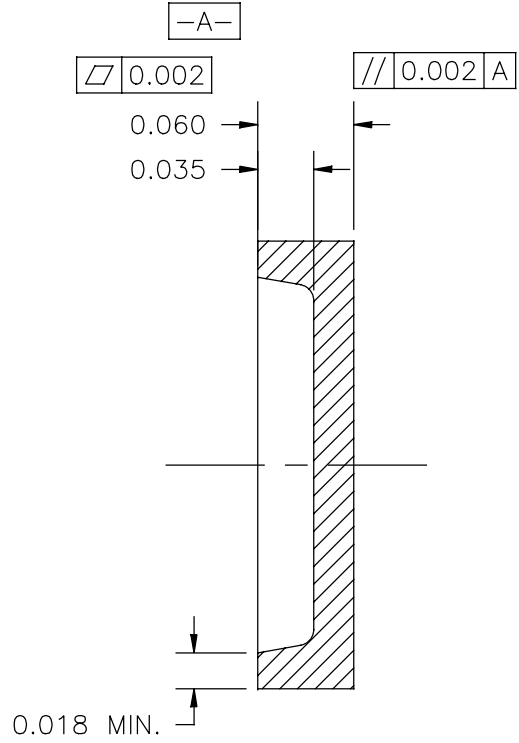
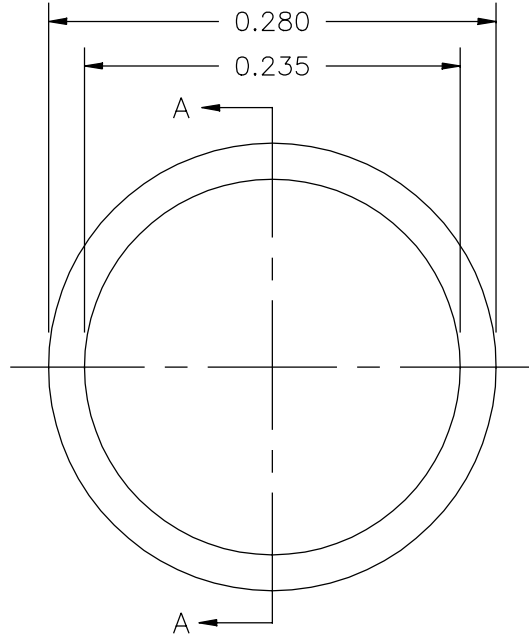
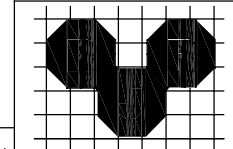


REVISIONS		
REV.	DESCRIPTION	DATE
NC	RELEASED: TJA	5-14-96
A	GD&T REMOVED, FORMAT UPDATED	8-19-98



SECTION A-A

NOTE: NO CHIP-OUTS ALLOWED ON LID TOP WHICH EXTEND > 0.030 FROM EDGE OF SURFACE INWARD.



THIS DRAWING CONTAINS INFORMATION THAT IS CONFIDENTIAL AND PROPRIETARY PROPERTY OF R.J.R. POLYMERS, INC., AND ITS DESIGN, DETAIL AND INVENTION, ARE THE PROPERTY OF R.J.R. POLYMERS, INC., SUBMITTED TO THE RECIPIENT IN CONFIDENCE AND SHALL NOT BE COPIED IN ANY MANNER NOR DISCLOSED TO ANY OUTSIDE PARTY WITHOUT THE EXPRESS WRITTEN CONSENT OF AN AUTHORIZED OFFICER OF THIS COMPANY. THEY SHALL BE USED EXCLUSIVELY FOR REFERENCE WORK ON CONTRACTS OR PROPOSALS SUBMITTED BY R.J.R. POLYMERS, INC. AND SHALL BE RETURNED ON REQUEST. THIS DRAWING MUST BE KEPT ONLY IN THE CONFIDENTIAL FILES OF R.J.R. POLYMERS, INC., WHEN NOT IN USE. ALL RIGHTS RESERVED.

RJR POLYMERS, INC
7875 EDGEWATER DR., OAKLAND, CA. 94621

TOLERANCES ARE IN INCHES:
(UNLESS OTHERWISE SPECIFIED)
FRACTIONS: $\pm 1/16''$
DECIMALS: X.XX = ± 0.01
 X.XXX = ± 0.004
 $\pm 1''$
 $\pm 1/32''/FT.$
 $0.003''/IN.$
DRAFT $\leq 10^\circ$ MAX.
RADI: 0.010 MAX.

CADFILE: XXXXXXXXXXXX		CLIENT #		7875 EDGEWATER DR., OAKLAND, CA. 94621		0.280 ROUND x 0.060 CERAMIC LID	
DATE 8/19/98	SCALE NTS	DRAWN BY DMG	DWG SIZE A	CHECKED BY	PART/DWG # 2043	REV A	1/1

QTY	ITEM	MATERIAL	PART #/ SPEC.
-	-	WHITE Al ₂ O ₃	