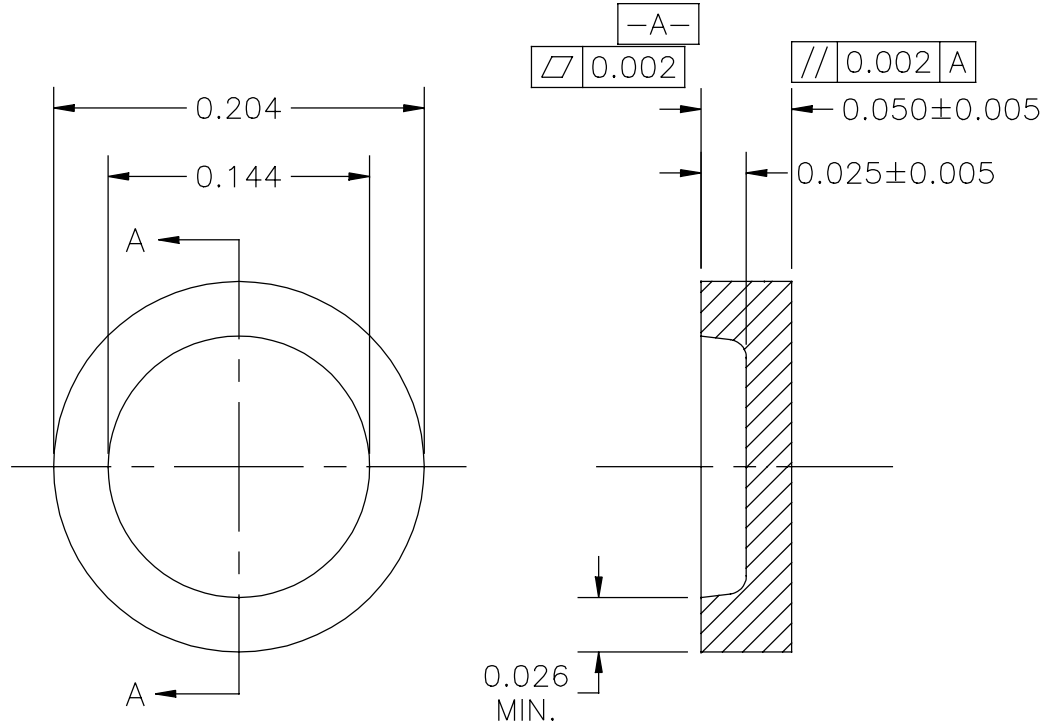


REVISIONS		
REV.	DESCRIPTION	DATE
A	RELEASED: GEIDEL	10-9-98
B	CHANGED DESCRIPTION IN ROI /DRAWING: RON	4-30-02

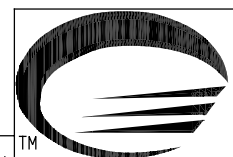


SECTION A-A

NOTE: NO CHIP-OUTS ALLOWED ON LID TOP WHICH EXTEND > 0.030 FROM EDGE OF SURFACE INWARD.

APPROVAL SIGNATURES		DATE
Configuration Control		
Purchasing		
Quality Assurance		
1	2044 WHITE Al ₂ O ₃	
QTY	ITEM	MATERIAL

TOLERANCES ARE IN INCHES:
 (UNLESS OTHERWISE SPECIFIED)
 FRACTIONS: $\pm 1/16''$
 DECIMALS: X.XX = ± 0.01
 X.XXX = ± 0.004
 \perp $\pm 1/32''/FT.$
 \square 0.003"
 DRAFT $\leq 7^\circ$ MAX.
 RADII: 0.010 MAX.



THIS DRAWING CONTAINS INFORMATION THAT IS CONFIDENTIAL AND PROPRIETARY PROPERTY OF R.J.R. POLYMERS, INC., AND ITS DESIGN, DETAIL AND INVENTION, ARE THE PROPERTY OF R.J.R. POLYMERS, INC., SUBMITTED TO THE RECIPIENT IN CONFIDENCE AND SHALL NOT BE COPIED IN ANY MANNER NOR DISCLOSED TO ANY OUTSIDE PARTY WITHOUT THE EXPRESS WRITTEN CONSENT OF AN AUTHORIZED OFFICER OF THIS COMPANY. THEY SHALL BE USED EXCLUSIVELY FOR REFERENCE WORK ON CONTRACTS OR PROPOSALS SUBMITTED BY R.J.R. POLYMERS, INC. AND SHALL BE RETURNED ON REQUEST. THIS DRAWING MUST BE KEPT ONLY IN THE CONFIDENTIAL FILES OF R.J.R. POLYMERS, INC. WHEN NOT IN USE. ALL RIGHTS RESERVED.

RJR POLYMERS, INC
 7875 EDGEWATER DR., OAKLAND, CA. 94621

CADFILE: E:\Part#Files\...\2044B		CLIENT #		7875 EDGEWATER DR., OAKLAND, CA. 94621		0.204 ROUND x 0.050 CERAMIC LID	
DATE 10/9/98	SCALE NTS	DRAWN BY DMG	DWG SIZE A	CHECKED BY	PART/DWG # 2044	REV B	1/1