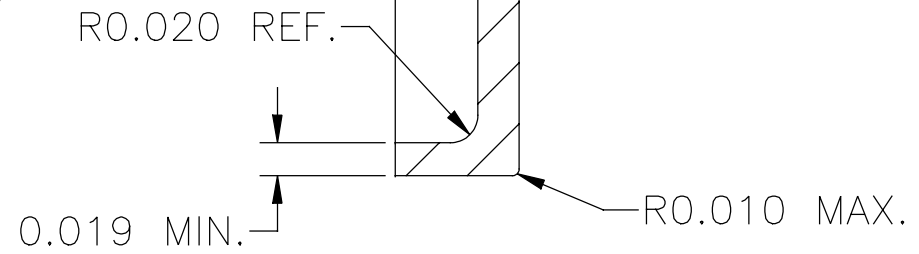
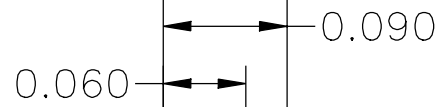
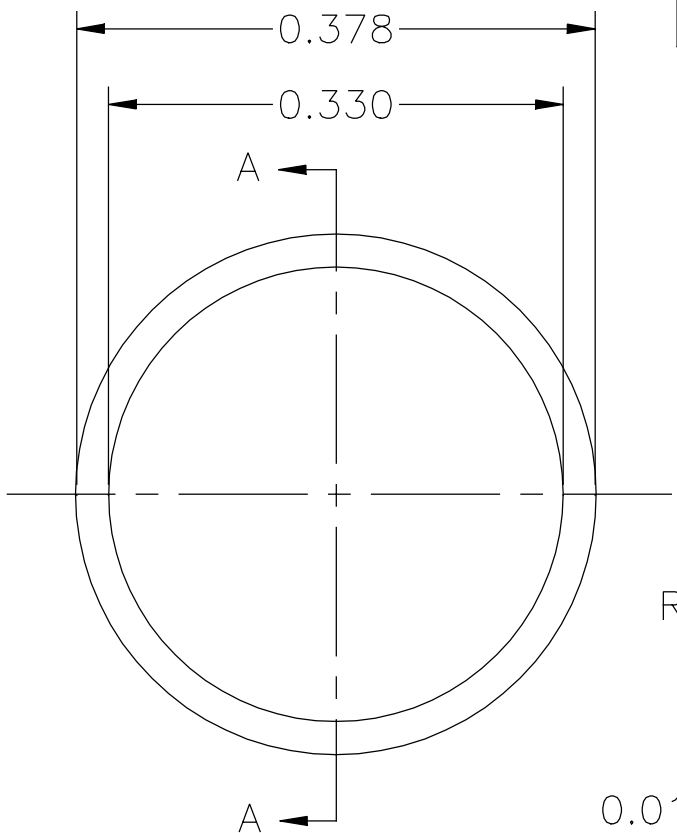


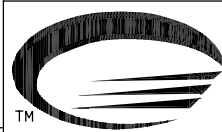
REVISIONS		
REV.	DESCRIPTION	DATE
NC	RELEASED: CAS	5-15-96
A	PRINT UPDATED #1478	7-30-98
B	CORRECT ROI& DRAWING DESCRIPTION TO 0.378 RD	2/05/02



SECTION A-A

APPROVAL SIGNATURES		DATE
Configuration Control		
Purchasing		
Quality Assurance		
X	X	
1	2048	WHITE ALUMINA 94% MINIMUM
QTY	ITEM	MATERIAL
		PART #/ SPEC.

TOLERANCES ARE IN INCHES:  
(UNLESS OTHERWISE SPECIFIED)  
FRACTIONS:  $\pm 1/16"$   
DECIMALS: X.XX =  $\pm 0.01$   
              X.XXX =  $\pm 0.005$   
 $\pm 1'$   $\pm 1/32"/FT.$   
 $\square$  0.003"/IN.  
DRAFT  $\leq 10'$  MAX.  
RADI: 0.015 MAX.



THIS DRAWING CONTAINS INFORMATION THAT IS CONFIDENTIAL AND PROPRIETARY PROPERTY OF R.J.R. POLYMERS, INC., AND ITS DESIGN, DETAIL AND INVENTION, ARE THE PROPERTY OF R.J.R. POLYMERS, INC., SUBMITTED TO THE RECIPIENT IN CONFIDENCE AND SHALL NOT BE COPIED IN ANY MANNER NOR DISCLOSED TO ANY OUTSIDE PARTY WITHOUT THE EXPRESS WRITTEN CONSENT OF AN AUTHORIZED OFFICER OF THIS COMPANY. THEY SHALL BE USED EXCLUSIVELY FOR REFERENCE WORK ON CONTRACTS OR PROPOSALS SUBMITTED BY R.J.R. POLYMERS, INC. AND SHALL BE RETURNED ON REQUEST. THIS DRAWING MUST BE KEPT ONLY IN THE CONFIDENTIAL FILES OF R.J.R. POLYMERS, INC., WHEN NOT IN USE. ALL RIGHTS RESERVED.

**RJR POLYMERS, INC**  
7875 EDGEWATER DR., OAKLAND, CA. 94621

CADFILE: Q: \DRAWINGS\...\2048B.DWG		7875 ROUND x 0.090 CERAMIC LID	
CLIENT # 1168	DATE 7-1-98	SCALE NTS	DRAWN BY DMG
DWG SIZE A	CHECKED BY	PART/DWG # 2048	REV B
			1/1