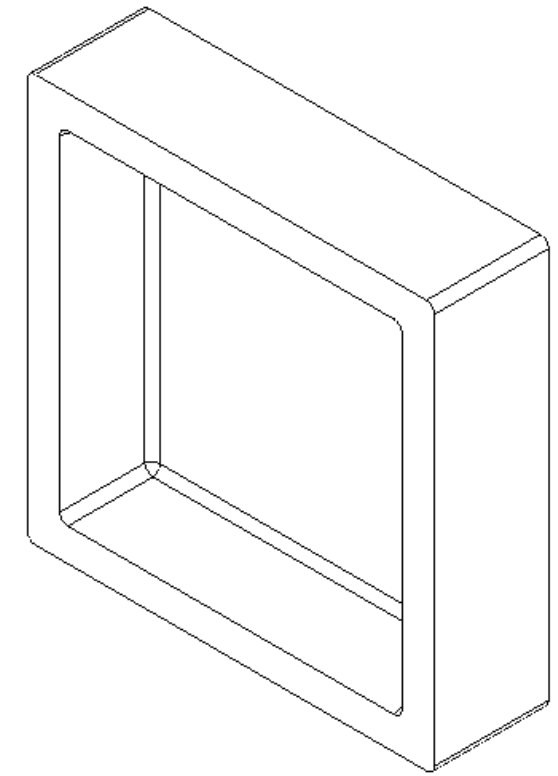
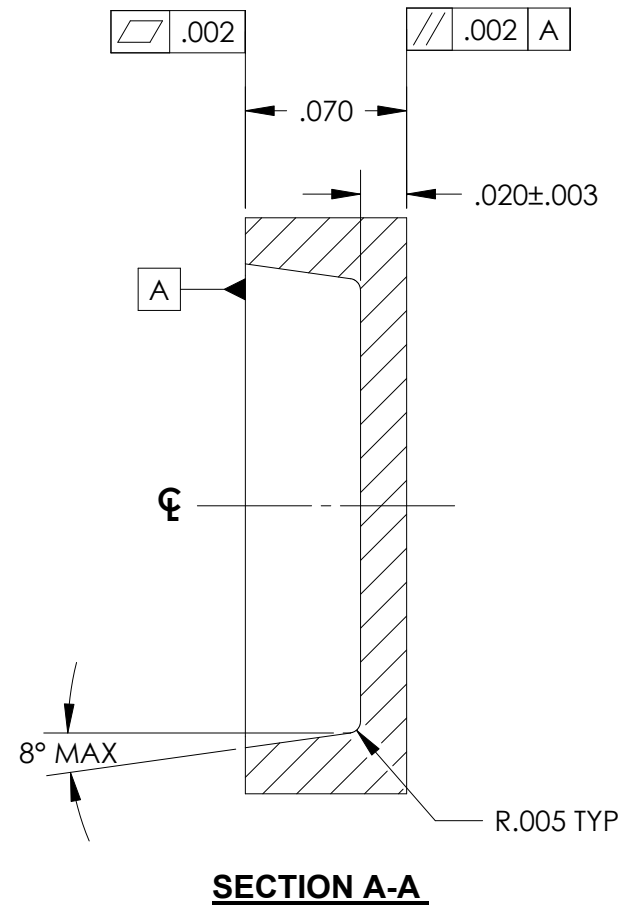
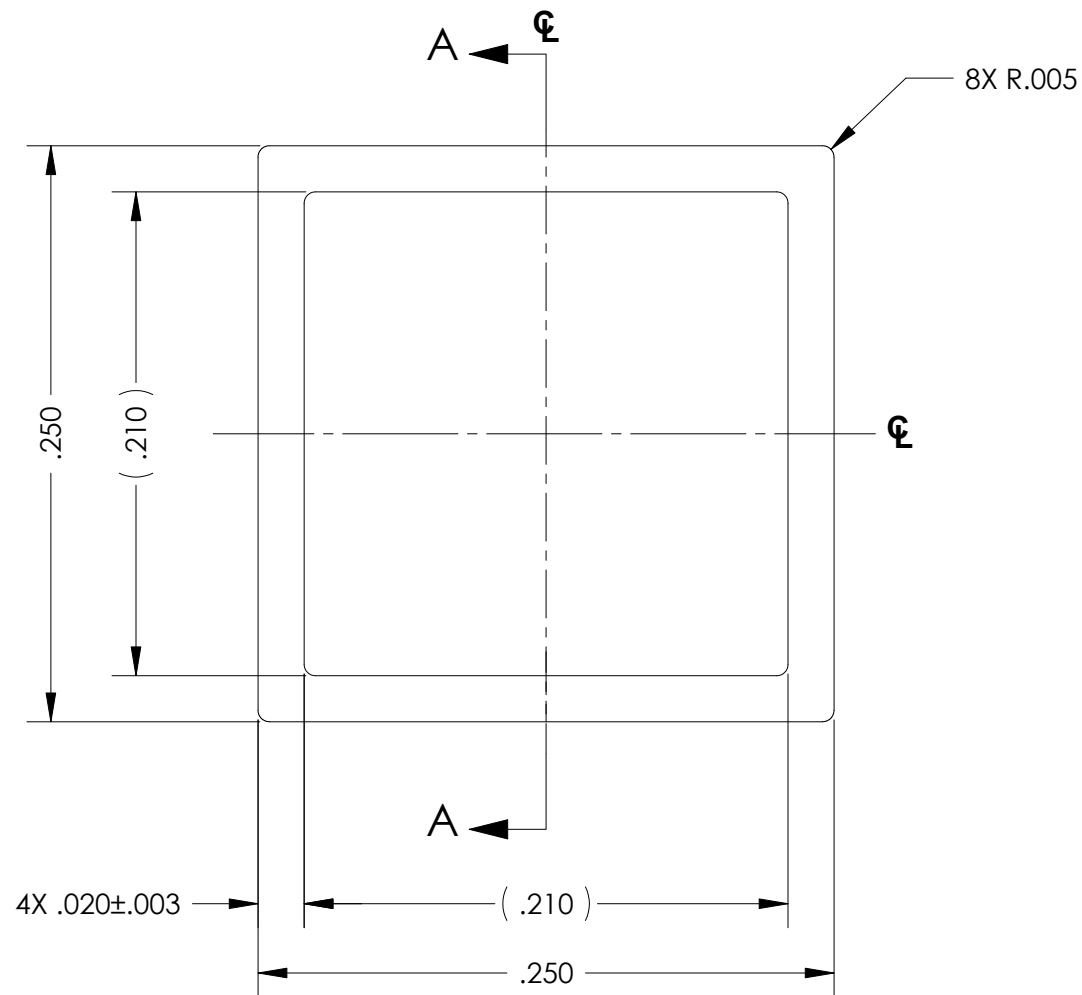


NOTES: UNLESS OTHERWISE SPECIFIED,

1. APPLICABLE STANDARDS/SPECIFICATIONS:  
ASME Y14.5M-1994, DIMENSIONING AND TOLERANCING  
ASME Y14.38-1999, ABBREVIATIONS AND ACRONYMS.
2. ALL SHARP EDGES AND CORNERS, R.01 MAX.
3. PARTS TO BE CLEAN AND FREE OF FOREIGN MATERIAL.
4. LID MATERIAL: CERAMIC, WHITE ALUMINA 96%.

DRAWN	REV.	DESCRIPTION	DATE	APPROVED
CAS	NC	INITIAL RELEASE	05-15-96	
CAS	A	REMOVED EPOXY INFORMATION	08-12-98	
JNN	B	CHANGED TO RJR FORMAT & ADDED 8° DRAFT	09-11-07	



**ISOMETRIC VIEW**

UNLESS OTHERWISE SPECIFIED:  
ALL DIMS IN INCHES & INCLUDE  
CHEM. APPLIED PLATED FINISH.  
REMOVE BURRS & SHARP EDGES.  
DO NOT SCALE.

TOLERANCES:  
.X = ±.02 ANGLES = ±1°  
.XX = ±.01  
.XXX = ±.005



THIS DRAWING CONTAINS INFORMATION THAT IS CONFIDENTIAL AND PROPRIETARY PROPERTY OF R.J.R. POLYMERS, INC., AND ITS DESIGN, DETAIL AND INVENTION, ARE THE PROPERTY OF R.J.R. POLYMERS, INC., SUBMITTED TO THE RECIPIENT IN CONFIDENCE AND SHALL NOT BE COPIED IN ANY MANNER NOR DISCLOSED TO ANY OUTSIDE PARTY WITHOUT THE EXPRESS WRITTEN CONSENT OF AN AUTHORIZED OFFICER OF THIS COMPANY. THEY SHALL BE USED EXCLUSIVELY FOR REFERENCE WORK ON CONTRACTS OR PROPOSALS SUBMITTED BY R.J.R. POLYMERS, INC. AND SHALL BE RETURNED ON REQUEST. THIS DRAWING MUST BE KEPT ONLY IN THE CONFIDENTIAL FILES OF R.J.R. POLYMERS, INC., WHEN NOT IN USE. ALL RIGHTS RESERVED.

MATERIAL:  
SEE NOTES

CAD FILE:

-

FINISH:

CLIENT:

-

DATE:  
8-12-98

SCALE  
NTS

SIZE  
B

DRAWN:  
CAS

CHK'D:  
-

P/N:

2052

PAGE:

1 of 1

REV:

B

**CONFIDENTIAL**

