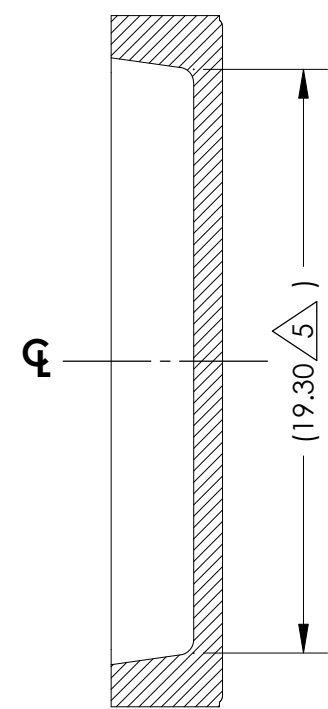
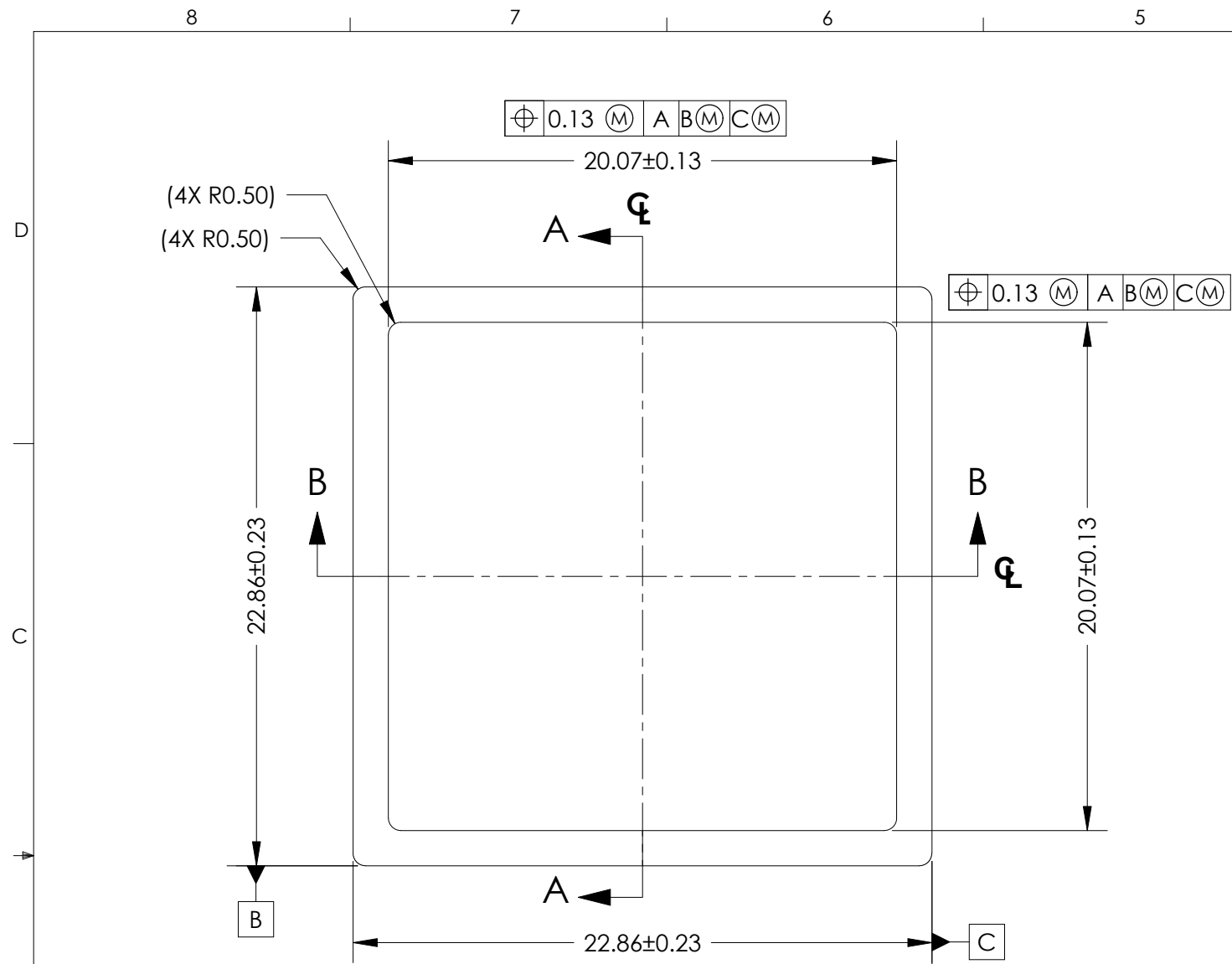
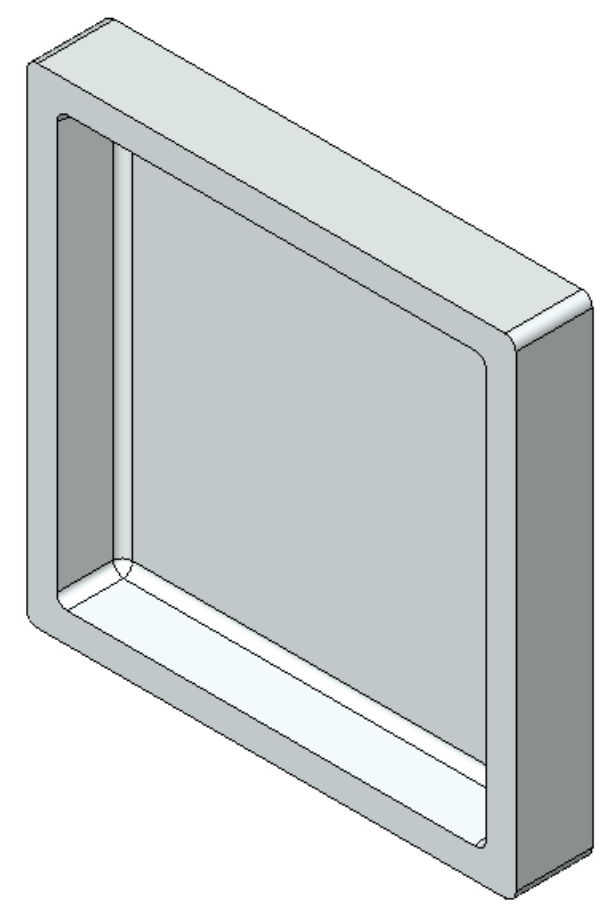


DRAWN	REV.	DESCRIPTION	DATE	APPROVED
GEIDEL	A	INITIAL RELEASE	10-15-98	
JNN	B	UPDATED DWG TO MATCH CURRENT PART SPECS	2-21-08	



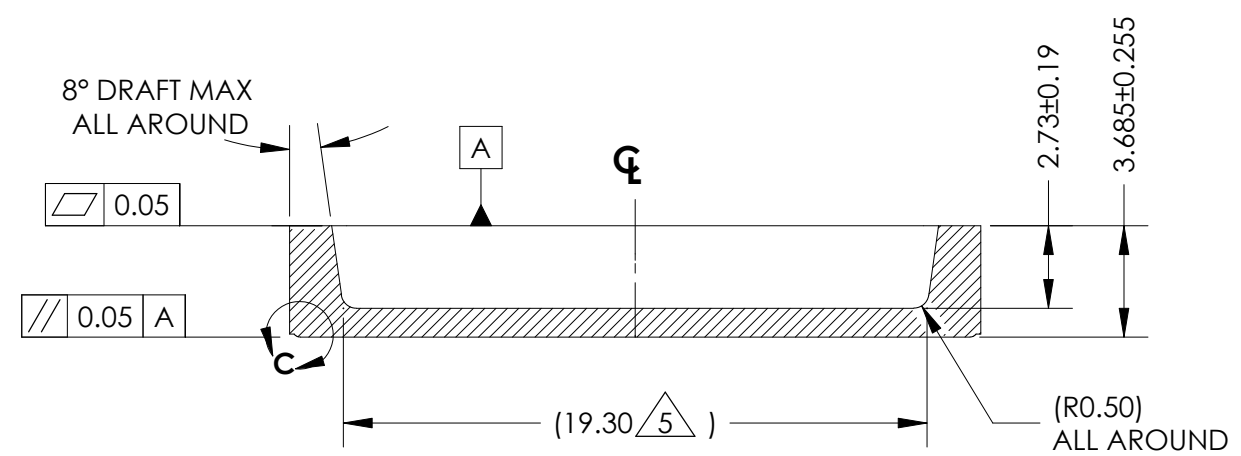
SECTION A-A



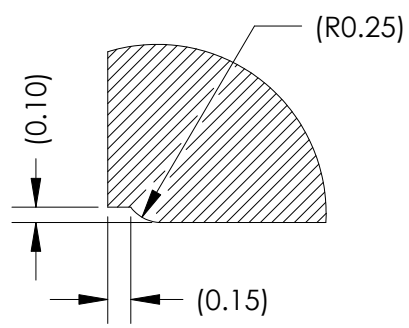
ISOMETRIC VIEW

NOTES: UNLESS OTHERWISE SPECIFIED,

1. APPLICABLE STANDARDS/SPECIFICATIONS:
ASME Y14.5M-1994, DIMENSIONING AND TOLERANCING
ASME Y14.38-1999, ABBREVIATIONS AND ACRONYMS.
2. RADII R.30 MAX.
3. PARTS TO BE CLEAN AND FREE OF FOREIGN MATERIAL.
4. LID MATERIAL: CERAMIC, WHITE ALUMINA 96%.
5. DIMENSIONED TO VIRTUAL SHARP.

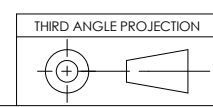



SECTION B-B



**DETAIL C
OPTIONAL EDGE
(ALL AROUND)**

CONFIDENTIAL



UNLESS OTHERWISE SPECIFIED: ALL DIMS IN MILLIMETERS & INCLUDE CHEM. APPLIED PLATED FINISH. REMOVE BURRS & SHARP EDGES. DO NOT SCALE.		 RJR POLYMERS, INC.		THIS DRAWING CONTAINS INFORMATION THAT IS CONFIDENTIAL AND PROPRIETARY PROPERTY OF R.J.R. POLYMERS, INC., AND ITS DESIGN, DETAIL AND INVENTION, ARE THE PROPERTY OF R.J.R. POLYMERS, INC., SUBMITTED TO THE RECIPIENT IN CONFIDENCE AND SHALL NOT BE COPIED IN ANY MANNER NOR DISCLOSED TO ANY OUTSIDE PARTY WITHOUT THE EXPRESS WRITTEN CONSENT OF AN AUTHORIZED OFFICER OF THIS COMPANY. THEY SHALL BE USED EXCLUSIVELY FOR REFERENCE WORK ON CONTRACTS OR PROPOSALS SUBMITTED BY R.J.R. POLYMERS, INC. AND SHALL BE RETURNED ON REQUEST. THIS DRAWING MUST BE KEPT ONLY IN THE CONFIDENTIAL FILES OF R.J.R. POLYMERS, INC., WHEN NOT IN USE. ALL RIGHTS RESERVED.				
TOLERANCES: .X = ±.25 .XX = ±.15 .XXX = ±.050				MATERIAL: SEE NOTES FINISH: -		CAD FILE: 2086 CLIENT: -		CERAMIC LID, HOG CAP
ANGLES = ±1° DATE: 10-15-98		SCALE: NTS	SIZE: B	DRAWN: DMG	CHK'D: -	P/N: 2086	PAGE: 1 of 1	