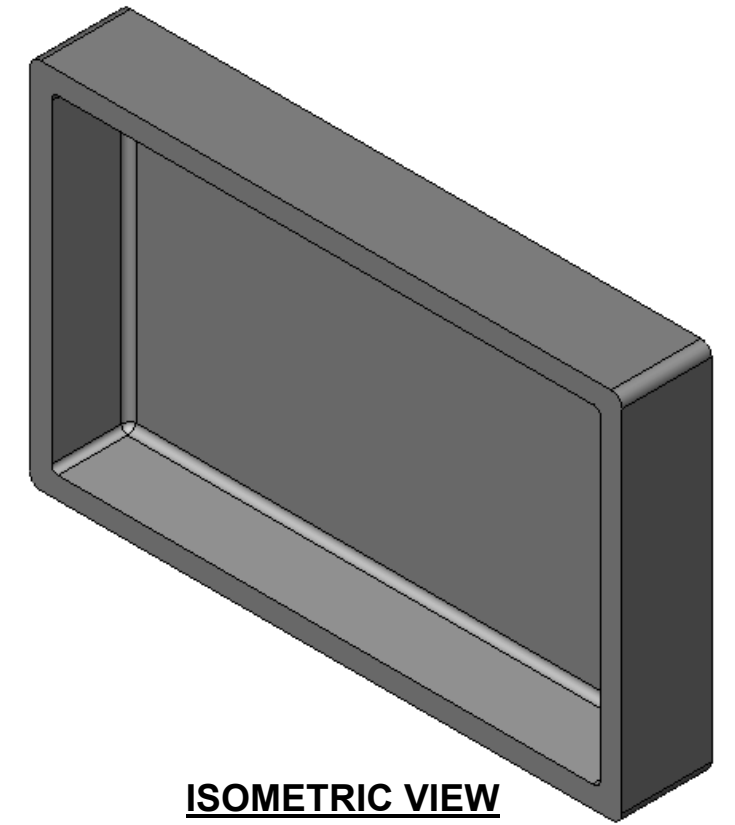
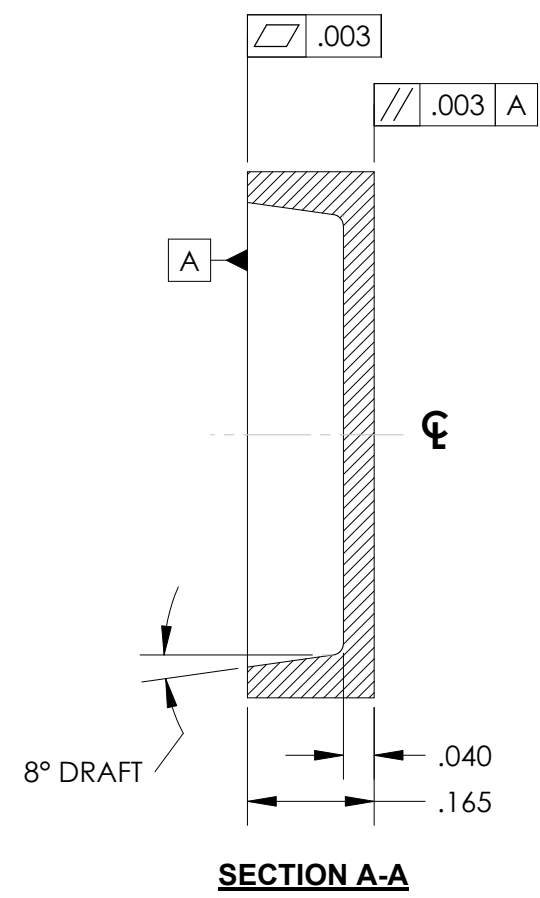
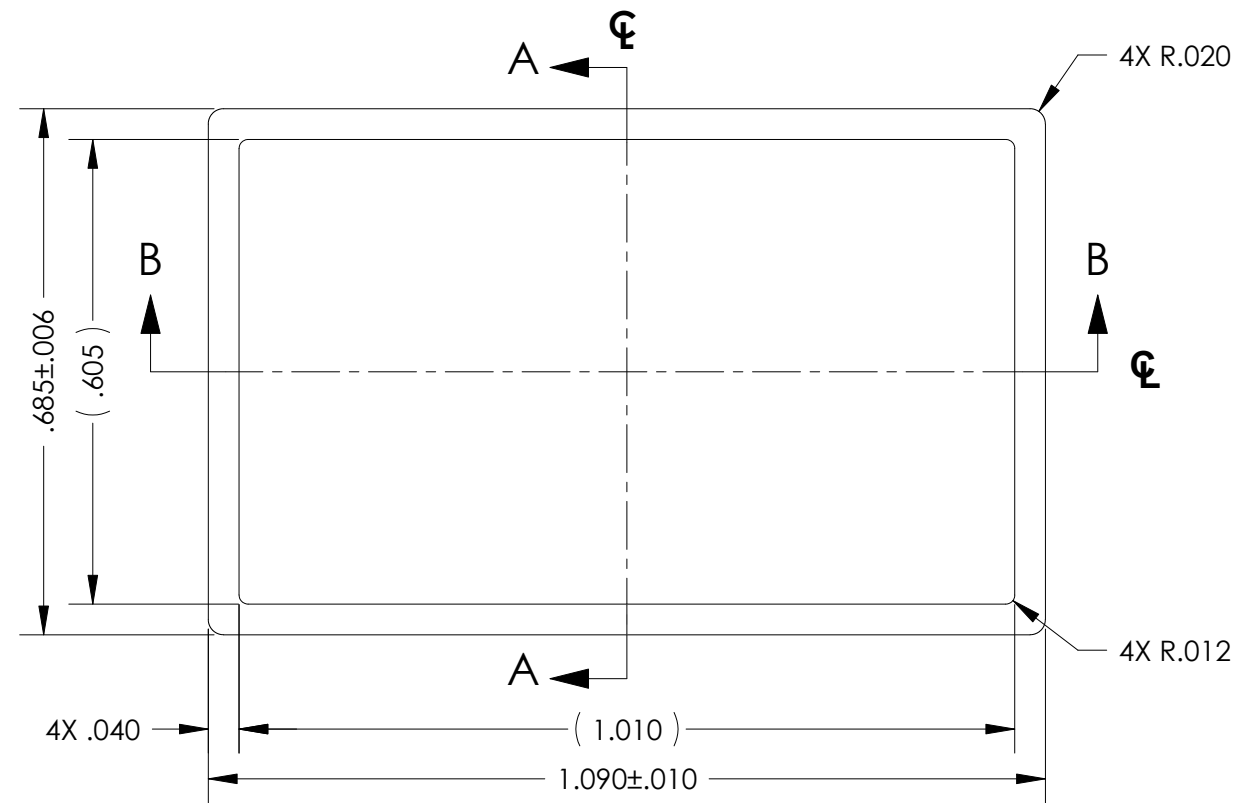


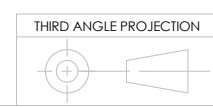
DRAWN	REV.	DESCRIPTION	DATE	APPROVED
CAN	NC	RELEASED: CAN	4-20-98	
D. LAM	01	UPDATED DWG TO CURRENT BORDER FORMAT.	1-26-09	

NOTES: UNLESS OTHERWISE SPECIFIED,

1. APPLICABLE STANDARDS/SPECIFICATIONS:  
ASME Y14.5M-1994, DIMENSIONING AND TOLERANCING  
ASME Y14.38-1999, ABBREVIATIONS AND ACRONYMS.
2. ALL SHARP EDGES AND CORNERS, R.015 MAX.
3. DRAFT ANGLES, 5° MAX.
4. PARTS TO BE CLEAN AND FREE OF FOREIGN MATERIAL.
5. LID MATERIAL: BLACK ALUMINA.



**CONFIDENTIAL**



UNLESS OTHERWISE SPECIFIED:  
ALL DIMS IN INCHES & INCLUDE CHEM. APPLIED/PLATED FINISH. REMOVE BURRS & SHARP EDGES. DO NOT SCALE.

TOLERANCES:  
X = ±.010  
.XX = ±.010  
.XXX = ±.005

ANGLES = ±1°

MATERIAL:  
SEE NOTES

FINISH:  
-

THIS DRAWING CONTAINS INFORMATION THAT IS CONFIDENTIAL AND PROPRIETARY PROPERTY OF R.J.R. POLYMERS, INC., AND ITS DESIGN, DETAIL AND INVENTION, ARE THE PROPERTY OF R.J.R. POLYMERS, INC., SUBMITTED TO THE RECIPIENT IN CONFIDENCE AND SHALL NOT BE COPIED IN ANY MANNER NOR DISCLOSED TO ANY OUTSIDE PARTY WITHOUT THE EXPRESS WRITTEN CONSENT OF AN AUTHORIZED OFFICER OF THIS COMPANY. THEY SHALL BE USED EXCLUSIVELY FOR REFERENCE WORK ON CONTRACTS OR PROPOSALS SUBMITTED BY R.J.R. POLYMERS, INC. AND SHALL BE RETURNED ON REQUEST. THIS DRAWING MUST BE KEPT ONLY IN THE CONFIDENTIAL FILES OF R.J.R. POLYMERS, INC., WHEN NOT IN USE. ALL RIGHTS RESERVED.

**RJR POLYMERS, INC.**

CAD FILE: 3019

CLIENT: -

DATE: 4-20-98

SCALE: NTS

SIZE: B

DRAWN: CAN

CHK'D: -

P/N: 3019

PAGE: 1 of 1

REV: 01

**BLACK ALUMINA CAP**  
**1.090 X .685 X .165**