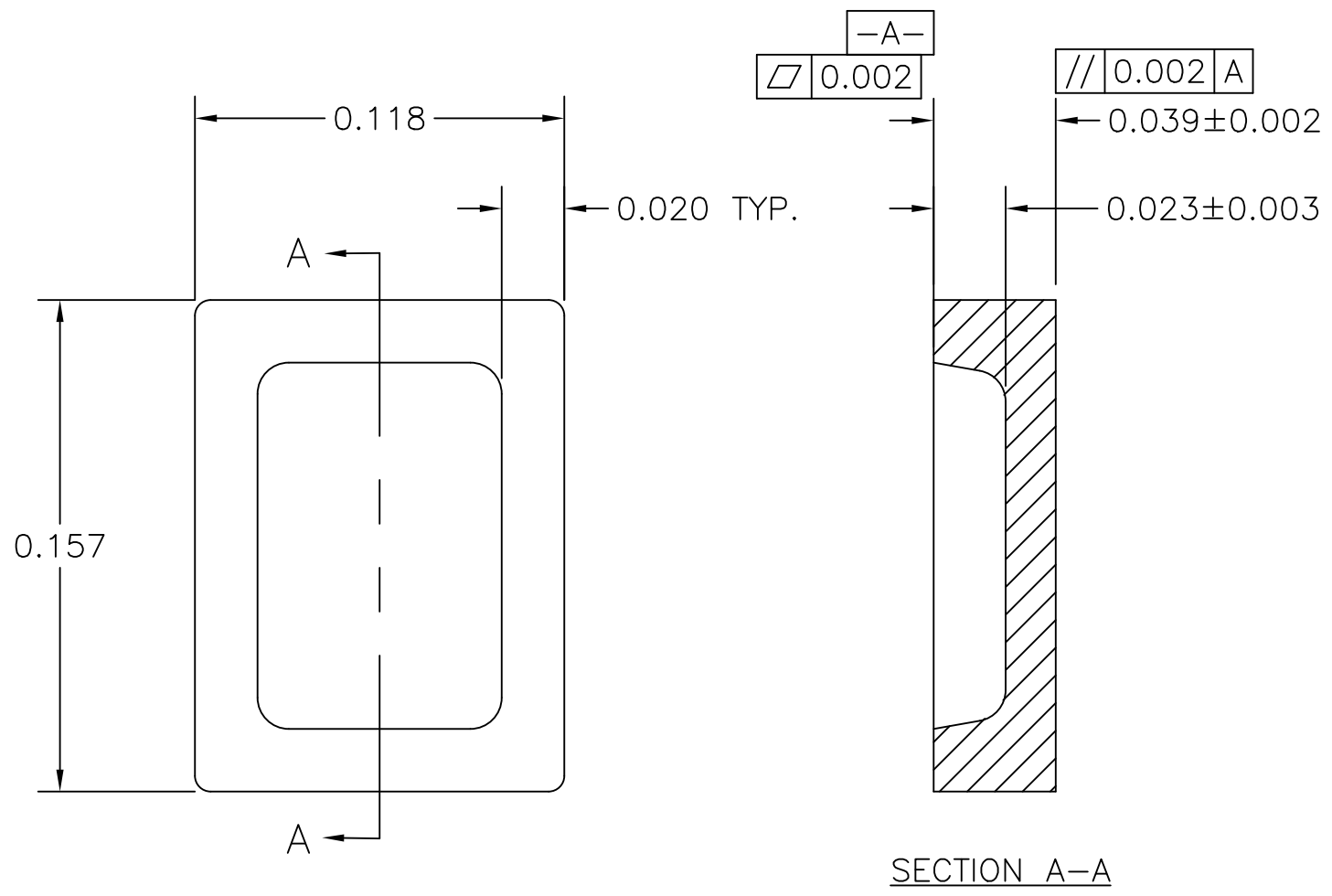
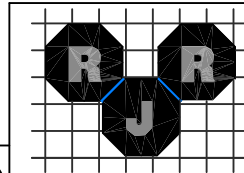


REVISIONS		
REV.	DESCRIPTION	DATE
A	RELEASED: GEIDEL	11-6-98



SECTION A-A



THIS DRAWING CONTAINS INFORMATION THAT IS CONFIDENTIAL AND PROPRIETARY PROPERTY OF R.J.R. POLYMERS, INC., AND ITS DESIGN, DETAIL AND INVENTION, ARE THE PROPERTY OF R.J.R. POLYMERS, INC., SUBMITTED TO THE RECIPIENT IN CONFIDENCE AND SHALL NOT BE COPIED IN ANY MANNER NOR DISCLOSED TO ANY OUTSIDE PARTY WITHOUT THE EXPRESS WRITTEN CONSENT OF AN AUTHORIZED OFFICER OF THIS COMPANY. THEY SHALL BE USED EXCLUSIVELY FOR REFERENCE WORK ON CONTRACTS OR PROPOSALS SUBMITTED BY R.J.R. POLYMERS, INC. AND SHALL BE RETURNED ON REQUEST. THIS DRAWING MUST BE KEPT ONLY IN THE CONFIDENTIAL FILES OF R.J.R. POLYMERS, INC., WHEN NOT IN USE. ALL RIGHTS RESERVED.

RJR POLYMERS, INC
7875 EDGEWATER DR., OAKLAND, CA. 94621

TOLERANCES ARE IN INCHES:
(UNLESS OTHERWISE SPECIFIED)
FRACTIONS: $\pm 1/16"$
DECIMALS: X.XX = ± 0.01
 X.XXX = ± 0.004
 \perp $\pm 1^\circ$
 \parallel $\pm 1/32"/FT.$
 \square $0.003"/IN.$
DRAFT $\leq 15^\circ$ MAX.
RADII: 0.012 MAX.

CADFILE:
E: \Part#Files\...\3503
CLIENT #
XXX

0.157 x 0.118 x 0.039
CERAMIC LID

QTY	ITEM	MATERIAL	DATE	SCALE	DRAWN BY	DWG SIZE	CHECKED BY	PART/DWG #	REV	1
-	-	BLACK ALUMINA	11/6/98	NTS	DMG	A		3503	A	1

A
B
C
D
E
F
G
H

8 7 6 5 4 3 2 1

8 7 6 5 4 3 2 1