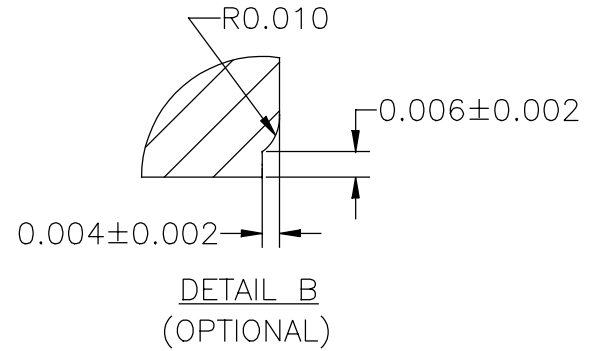
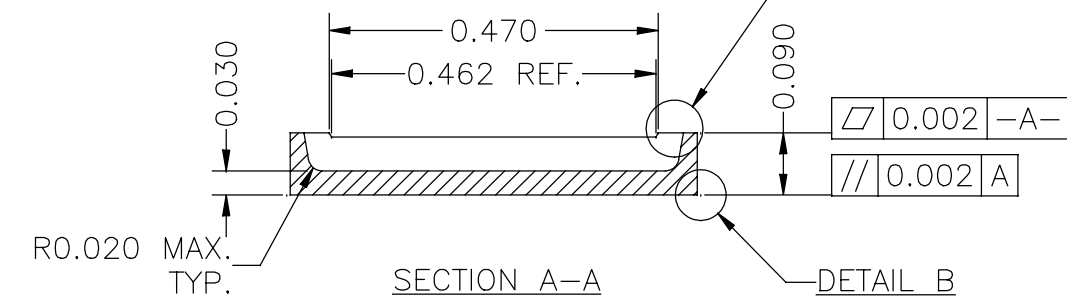
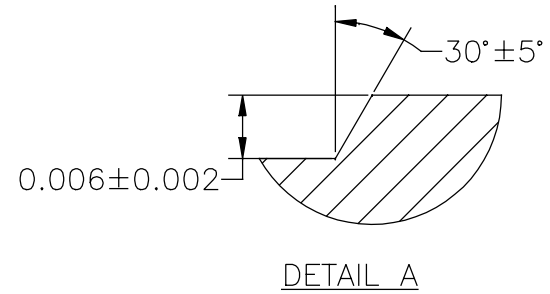
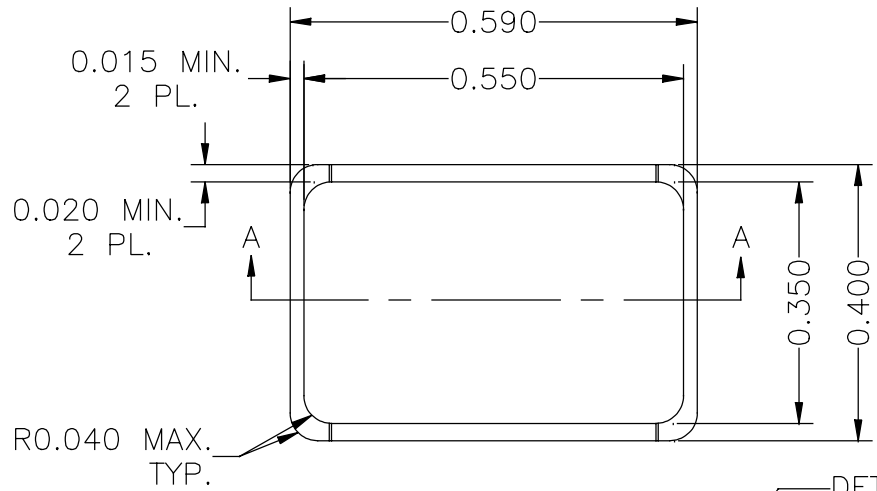


REV.	DESCRIPTION	DATE
D2	DEVELOPMENT (R&D) PART	9-16-98
A	RELEASED: GEIDEL	4-13-99
B	CHANGE NOTCH DIMENSION	6-4-99



APPROVAL SIGNATURES	DATE
Configuration Control	
Design Engineering	
Manufacturing	
Process Engineering	
Purchasing	
Quality Assurance	

QTY	ITEM	MATERIAL
-	-	WHITE ALUMINA (96%)

TOLERANCES ARE IN INCHES:  
 (UNLESS OTHERWISE SPECIFIED)  
 FRACTIONS: ±1/16"  
 DECIMALS: X.XX = ±0.01  
 X.XXX = ±0.005  
 ±1" ±1/32"/FT.  
 0.003"/IN.  
 DRAFT ≤ 10° MAX.  
 RADII: 0.015 MAX.



THIS DRAWING CONTAINS INFORMATION THAT IS CONFIDENTIAL AND PROPRIETARY PROPERTY OF R.J.R. POLYMERS, INC., AND ITS DESIGN, DETAIL AND INVENTION, ARE THE PROPERTY OF R.J.R. POLYMERS, INC., SUBMITTED TO THE RECIPIENT IN CONFIDENCE AND SHALL NOT BE COPIED IN ANY MANNER NOR DISCLOSED TO ANY OUTSIDE PARTY WITHOUT THE EXPRESS WRITTEN CONSENT OF AN AUTHORIZED OFFICER OF THIS COMPANY. THEY SHALL BE USED EXCLUSIVELY FOR REFERENCE WORK ON CONTRACTS OR PROPOSALS SUBMITTED BY R.J.R. POLYMERS, INC. AND SHALL BE RETURNED ON REQUEST. THIS DRAWING MUST BE KEPT ONLY IN THE CONFIDENTIAL FILES OF R.J.R. POLYMERS, INC., WHEN NOT IN USE. ALL RIGHTS RESERVED.

**RJR POLYMERS, INC**  
 7875 EDGEWATER DR., OAKLAND, CA. 94621

CADFILE: Q: \Drawings\...\4164		0.590 X 0.400 X 0.090 CERAMIC LID	
CLIENT # 1124	DATE 9/16/98	SCALE NTS	DRAWN BY DMG
DWG SIZE A	CHECKED BY	PART/DWG # 4164	REV B
		1/1	