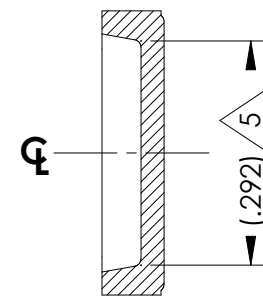
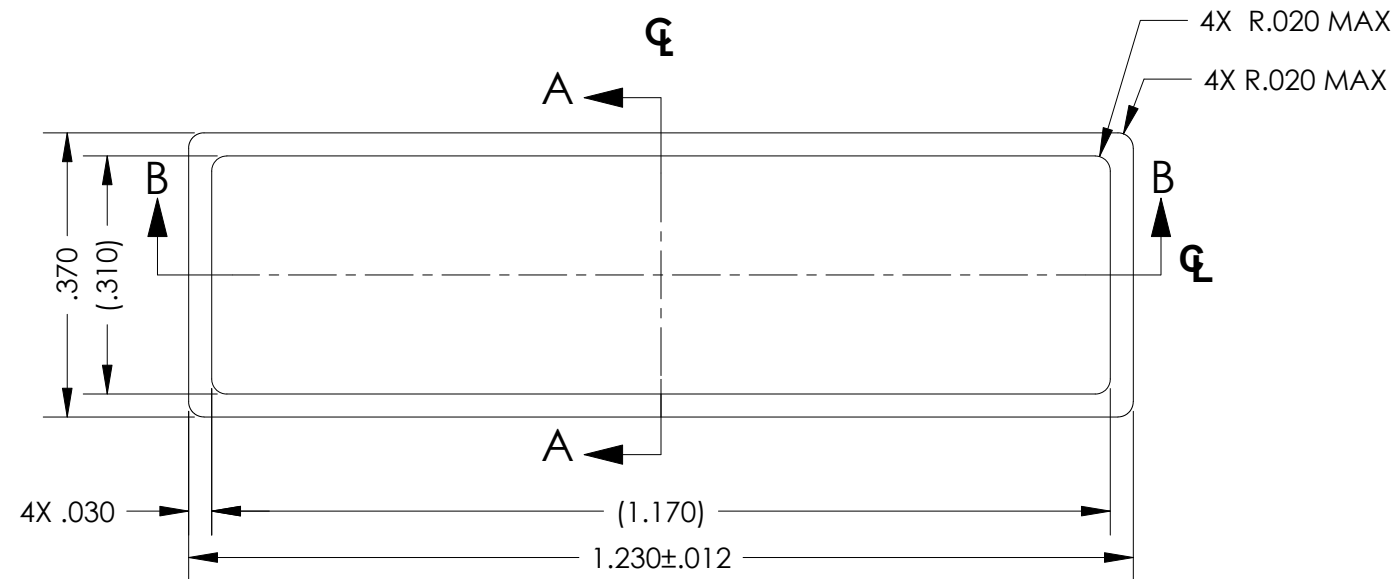
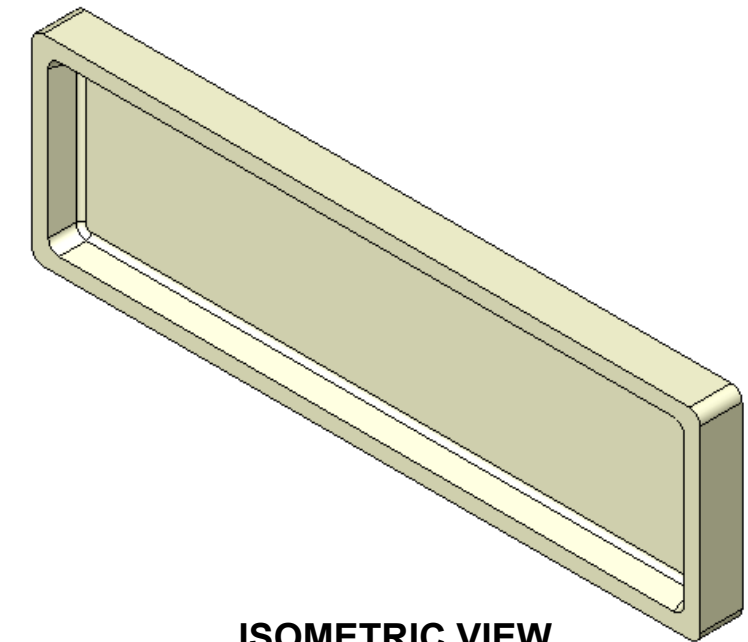


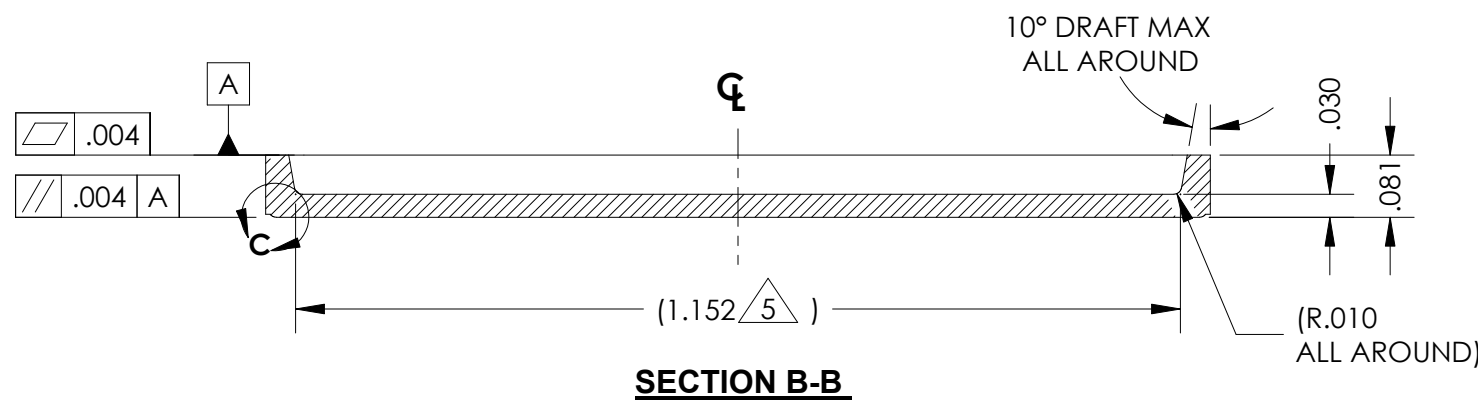
DRAWN	REV.	DESCRIPTION	DATE	APPROVED
GEIDEL	A	INITIAL RELEASE	05-12-99	
JNN	01	ADDED NOTE 6 PER ECO# 4270-2008-06-06E	06-06-08	



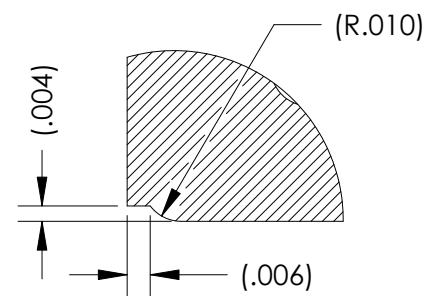
**SECTION A-A**



**ISOMETRIC VIEW**



**SECTION B-B**



**DETAIL C  
OPTIONAL EDGE  
(ALL AROUND)**

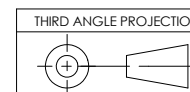
NOTES: UNLESS OTHERWISE SPECIFIED,

1. APPLICABLE STANDARDS/SPECIFICATIONS:  
ASME Y14.5M-1994, DIMENSIONING AND TOLERANCING  
ASME Y14.38-1999, ABBREVIATIONS AND ACRONYMS.
2. ALL SHARP EDGES AND CORNERS, R.010 MAX.
3. PARTS TO BE CLEAN AND FREE OF FOREIGN MATERIAL.
4. LID MATERIAL: CERAMIC, WHITE ALUMINA 96%.
5. DIMENSIONED TO VIRTUAL SHARP.
6. CHIPPING SPEC: (ANSI ASQ Z1.4 LEVEL-II AQL-1.0%)  
THERE WILL BE NO THROUGH HOLES IN THE BOTTOM THICKNESS OF THE PART.

SEAL AREA: .028L x .015W x .027D MAX

OTHERS: (A) W= IN THE CASE OF LESS THAN .015 D= .020 MAX  
(B) W= IN THE CASE OF .015~.028 D= .015 MAX.

**CONFIDENTIAL**



UNLESS OTHERWISE SPECIFIED: ALL DIMS IN INCHES & INCLUDE CHEM. APPLIED/PLATED FINISH. REMOVE BURRS & SHARP EDGES. DO NOT SCALE.				THIS DRAWING CONTAINS INFORMATION THAT IS CONFIDENTIAL AND PROPRIETARY PROPERTY OF R.J.R. POLYMERS, INC., AND ITS DESIGN, DETAIL AND INVENTION, ARE THE PROPERTY OF R.J.R. POLYMERS, INC., SUBMITTED TO THE RECIPIENT IN CONFIDENCE AND SHALL NOT BE COPIED IN ANY MANNER NOR DISCLOSED TO ANY OUTSIDE PARTY WITHOUT THE EXPRESS WRITTEN CONSENT OF AN AUTHORIZED OFFICER OF THIS COMPANY. THEY SHALL BE USED EXCLUSIVELY FOR REFERENCE WORK ON CONTRACTS OR PROPOSALS SUBMITTED BY R.J.R. POLYMERS, INC. AND SHALL BE RETURNED ON REQUEST. THIS DRAWING MUST BE KEPT ONLY IN THE CONFIDENTIAL FILES OF R.J.R. POLYMERS, INC., WHEN NOT IN USE. ALL RIGHTS RESERVED.	
TOLERANCES: X = .XX = .XXX = ±.004	ANGLES = ±1°	CAD FILE: 4270	<b>CERAMIC LID, 1.230 X .370 X .081</b>		
MATERIAL: SEE NOTES	FINISH: -	CLIENT: -	DATE: 05-12-99	SCALE: NTS	SIZE: B
DRAWN: DMG		CHK'D: -	P/N: 4270	PAGE: 1 of 1	REV: 01