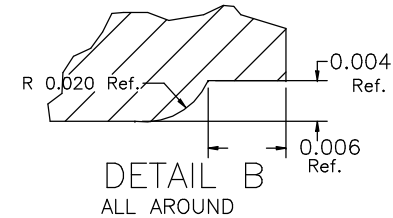
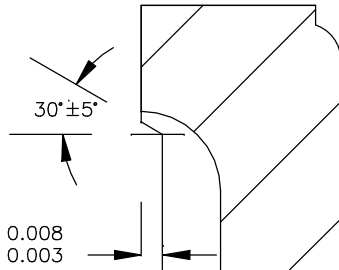
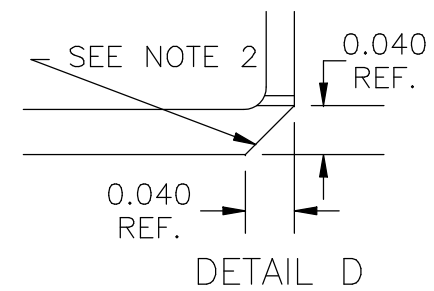
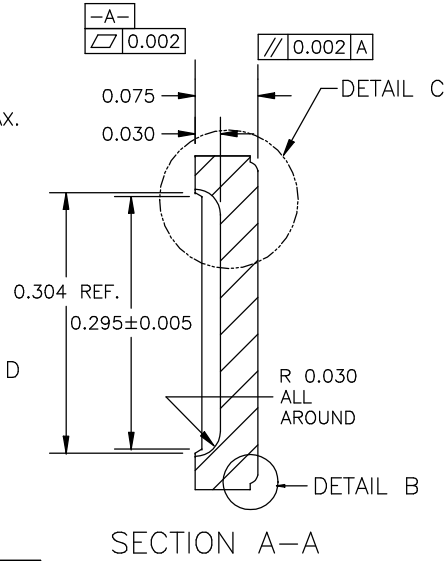
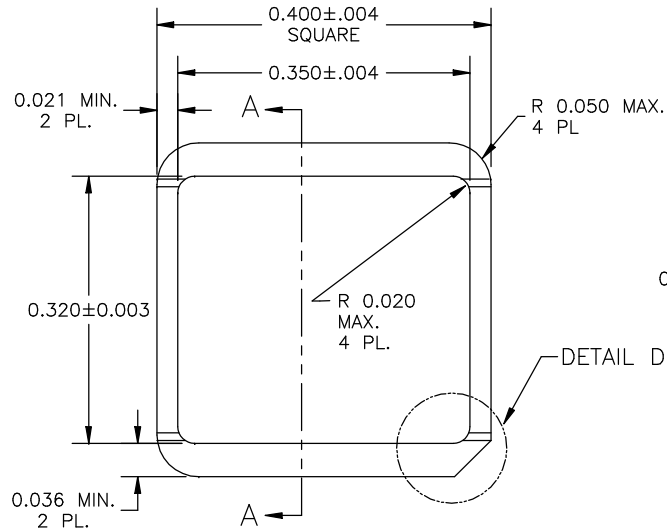



NOTE: (UNLESS OTHERWISE SPECIFIED)
 1. PART TO BE FREE OF SHARP EDGES AND BURRS.
 2. CORNER CHAMFER IS TO BE LARGE ENOUGH TO BE EASILY SEEN WITH THE NAKED EYE.

REV.#	REVISION DESCRIPTION	DATE
D1	INPROCESS: CHAMPION	09/20/99
A	RELEASE : CHAMPION	10/06/99
B	TOLERANCE UPDATE: CHAMPION	10/21/99



REQUEST FOR APPROVAL		DATE
APPROVAL SIGNATURE		
RETURN ONE COPY TO RJR WITH APPROVAL SIGNATURE		
BY:		
DATE:		
RJR POLYMERS INC.		
SUBMIT DATE:		

DETAIL C

TOLERANCES: (UNLESS OTHERWISE SPECIFIED) .XX" = ±.01" .XXX" = ±.004" X" = ±1" // L = .031" PER 1" // S = .003" PER 1" DRAFT = 5° MAX RADII = R .012" MAX		 <p>RJR POLYMERS, INC. 7875 EDGEWATER DR., OAKLAND, CA. 94621</p>	THIS DRAWING CONTAINS INFORMATION THAT IS CONFIDENTIAL AND PROPRIETARY PROPERTY OF R.J.R. POLYMERS, INC., AND ITS DESIGN, DETAIL AND INVENTION, ARE THE PROPERTY OF R.J.R. POLYMERS, INC., SUBMITTED TO THE RECIPIENT IN CONFIDENCE AND SHALL NOT BE COPIED IN ANY MANNER NOR DISCLOSED TO ANY OUTSIDE PARTY WITHOUT THE EXPRESS WRITTEN CONSENT OF AN AUTHORIZED OFFICER OF THIS COMPANY. THEY SHALL BE USED EXCLUSIVELY FOR REFERENCE WORK ON CONTRACTS OR PROPOSALS SUBMITTED BY R.J.R. POLYMERS, INC. AND SHALL BE RETURNED ON REQUEST. THIS DRAWING MUST BE KEPT ONLY IN THE CONFIDENTIAL FILES OF R.J.R. POLYMERS, INC., WHEN NOT IN USE. ALL RIGHTS RESERVED.	
MATERIAL: ALUMINA	DATE: 20SEP1999		SCALE: NTS	SIZE: A
FINISH SEE NOTES		CLIENT:		
CAD FILE: Q:\DRAWINGS\PART#\... \4000-\4250-\4368\4368B		DRAWN: CHAMPION	CHK'D:	P/N: 4368
ITEM PART# QTY MATERIAL		REV: B		PAGE: 1 OF 1

