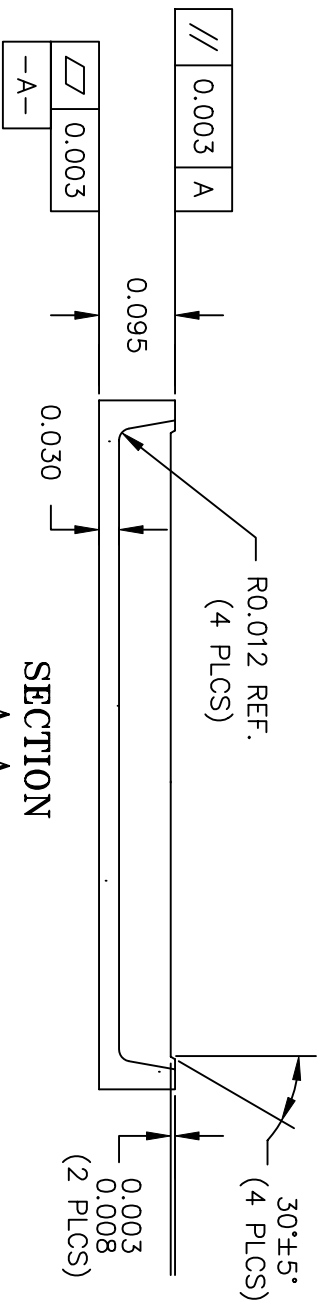
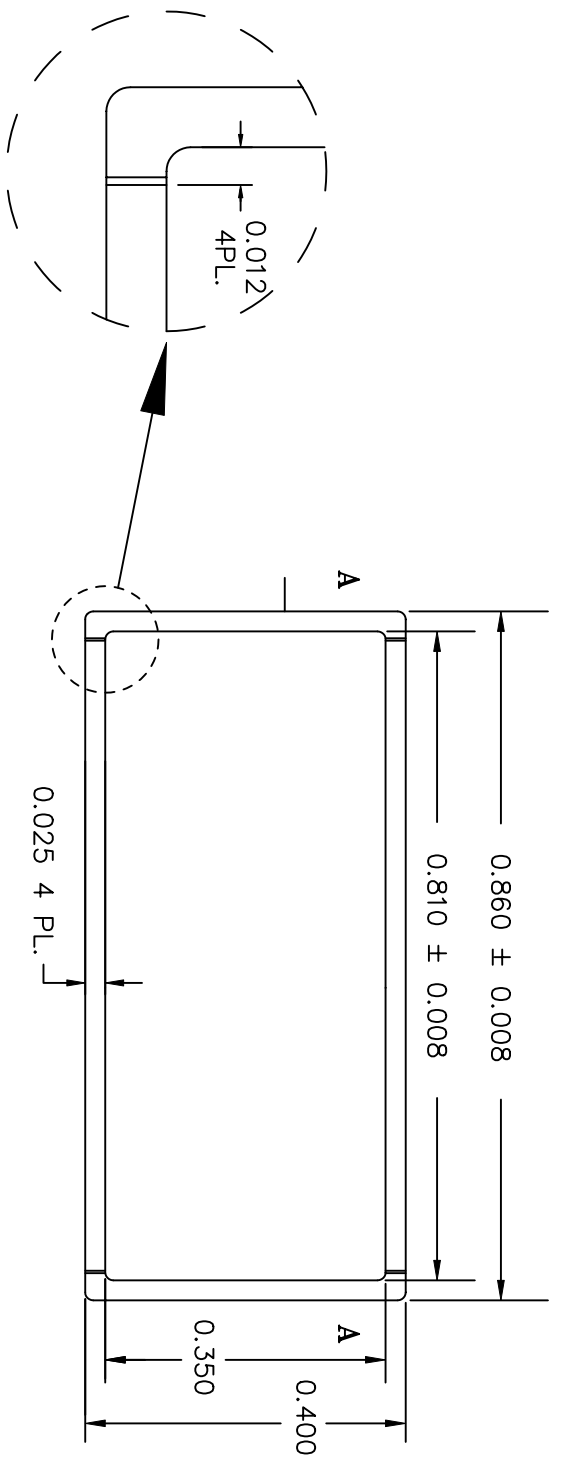


REQUEST FOR APPROVAL - UPON SIGNING, PLEASE RETURN SIGNED COPY TO RJR POLYMERS, INC.
APPROVED BY: _____

REVISIONS		DATE
REV	BY	DESCRIPTION
A	BLTYH	RELEASED
		11-9-00



SECTION A-A

APPROVAL SIGNATURES		DATE
Configuration Control		
Purchasing		
Quality Assurance		

RJR POLYMERS, INC
 7875 EDGEWATER DR., OAKLAND, CA. 94621

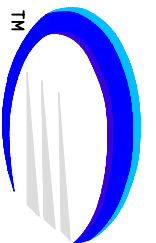
THIS DRAWING CONTAINS INFORMATION THAT IS CONFIDENTIAL AND PROPRIETARY PROPERTY OF RJR POLYMERS, INC. AND ITS DESIGN, DETAIL AND INVENTION ARE THE PROPERTY OF RJR POLYMERS, INC. SUBMITTED TO THE RECIPIENT IN CONFIDENCE AND SHALL NOT BE COPIED IN ANY MANNER NOR DISCLOSED TO ANY OUTSIDE PARTY WITHOUT THE EXPRESS WRITTEN CONSENT OF AN AUTHORIZED OFFICER OF THIS COMPANY. THEY SHALL BE USED EXCLUSIVELY FOR REFERENCE. THIS DRAWING MUST BE KEPT ONLY IN THE CONFIDENTIAL FILES OF RJR POLYMERS, INC. WHEN NOT IN USE. ALL RIGHTS RESERVED.

TOLERANCES UNLESS OTHERWISE SPECIFIED:
 DECIMALS: XXXX = ±1* (NLT 0.005)
 ±1* ±1/32" / FT.
 ±1* ±0.003" / IN.
 DRAFT < 10" MAX.
 RADII: 0.010 MAX

DIMENSIONS ARE IN INCHES

0.860 x 0.400 x 0.095 x 0.025 (WALL)
 WHITE CERAMIC NOTCHED LID

CLIENT	DATE	SCALE	DRAWN BY	DWG SIZE	PART/DWG #	REV
Q:\DRAWINGS\...4600A.DWG	11-9-00	MKS	DWB	A	4600	A



8 7 6 5 4 3 2 1