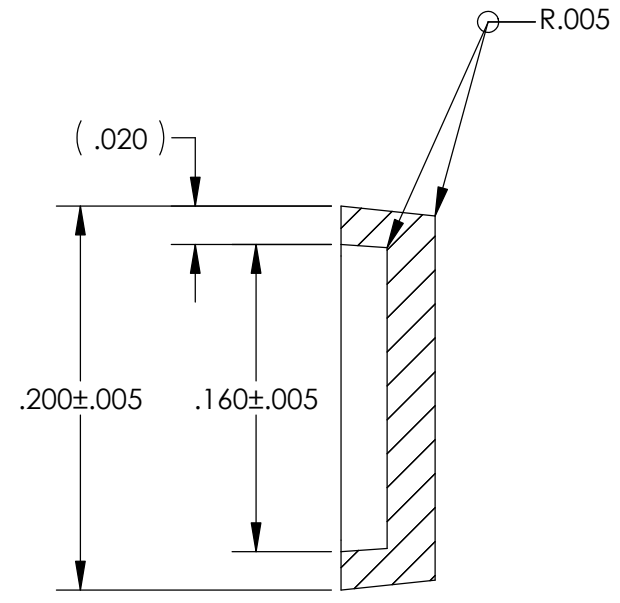
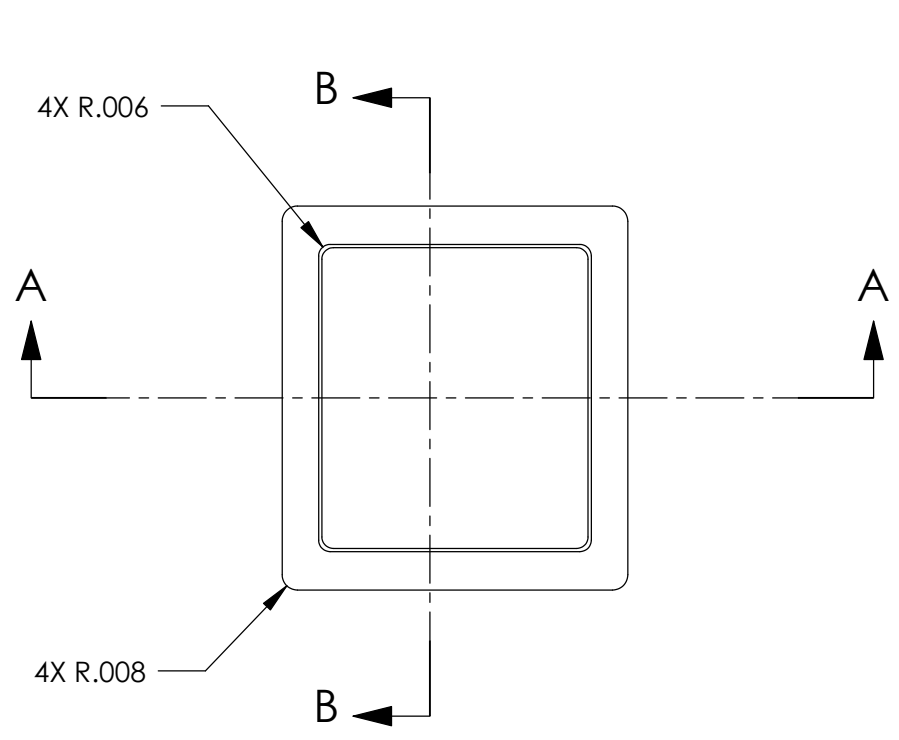
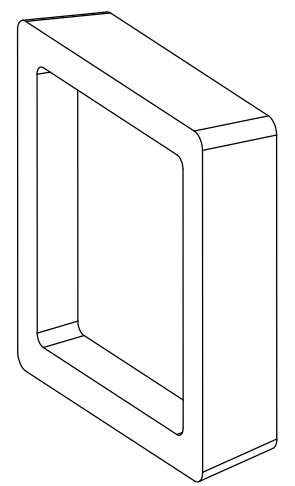


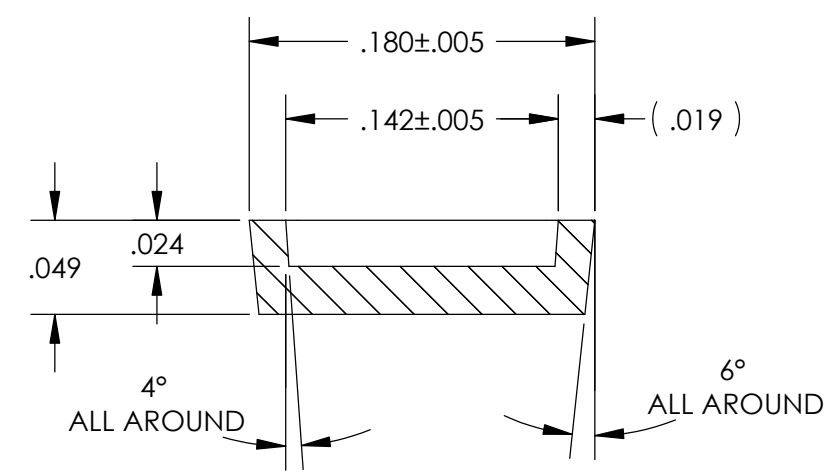
REV.	DESCRIPTION	DATE	APPROVED
01	INITIAL RELEASE.	3/18/04	
02	ADDED LID PART NUMBER	6/29/04	




SECTION B-B
SCALE 10 : 1



ISOMETRIC VIEW



SECTION A-A
SCALE 10 : 1

<small>UNLESS OTHERWISE SPECIFIED: ALL DIMS IN INCHES & INCLUDE CHEM. APPLIED/PLATED FINISH. REMOVE BURRS & SHARP EDGES. DO NOT SCALE.</small>				<small>THIS DRAWING CONTAINS INFORMATION THAT IS CONFIDENTIAL AND PROPRIETARY PROPERTY OF R.J.R. POLYMERS, INC., AND ITS DESIGN, DETAIL AND INVENTION, ARE THE PROPERTY OF R.J.R. POLYMERS, INC., SUBMITTED TO THE RECIPIENT IN CONFIDENCE AND SHALL NOT BE COPIED IN ANY MANNER NOR DISCLOSED TO ANY OUTSIDE PARTY WITHOUT THE EXPRESS WRITTEN CONSENT OF AN AUTHORIZED OFFICER OF THIS COMPANY. THEY SHALL BE USED EXCLUSIVELY FOR REFERENCE WORK ON CONTRACTS OR PROPOSALS SUBMITTED BY R.J.R. POLYMERS, INC. AND SHALL BE RETURNED ON REQUEST. THIS DRAWING MUST BE KEPT ONLY IN THE CONFIDENTIAL FILES OF R.J.R. POLYMERS, INC., WHEN NOT IN USE. ALL RIGHTS RESERVED.</small>			
MATERIAL: INTERNAL	CAD FILE: LD21200	LID ONLY, HP2-106B PACKAGE .200 X .200 X .049					
FINISH:	CLIENT: INTERNAL						
DATE: 3/18/04	SCALE: NTS	SIZE: B	DRAWN: M. Tsao	CHK'D: -	P/N: 5620	PAGE: 1 of 1	REV: 02