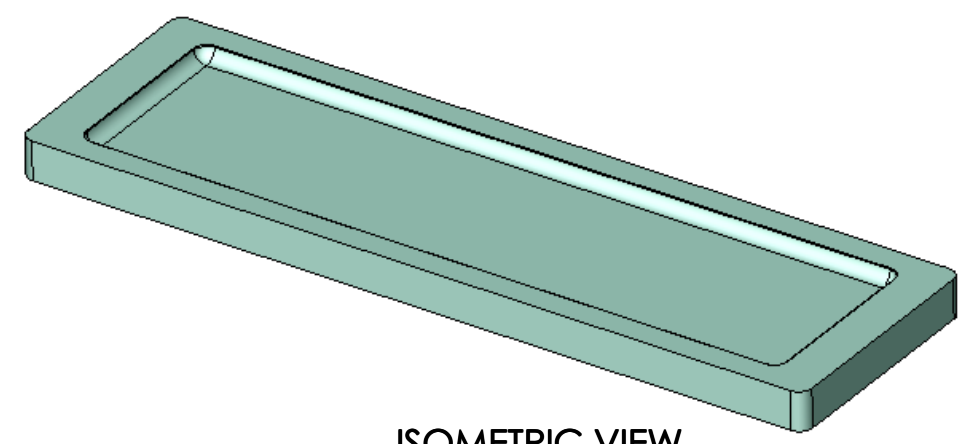
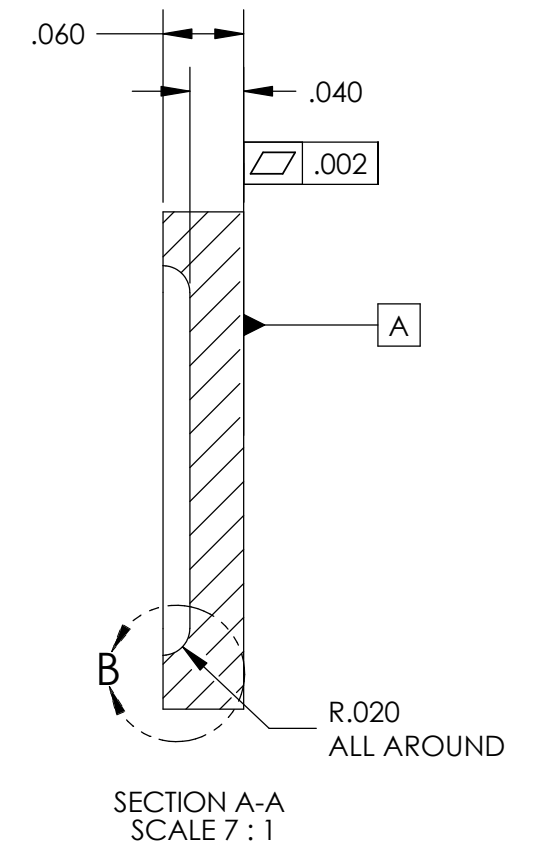
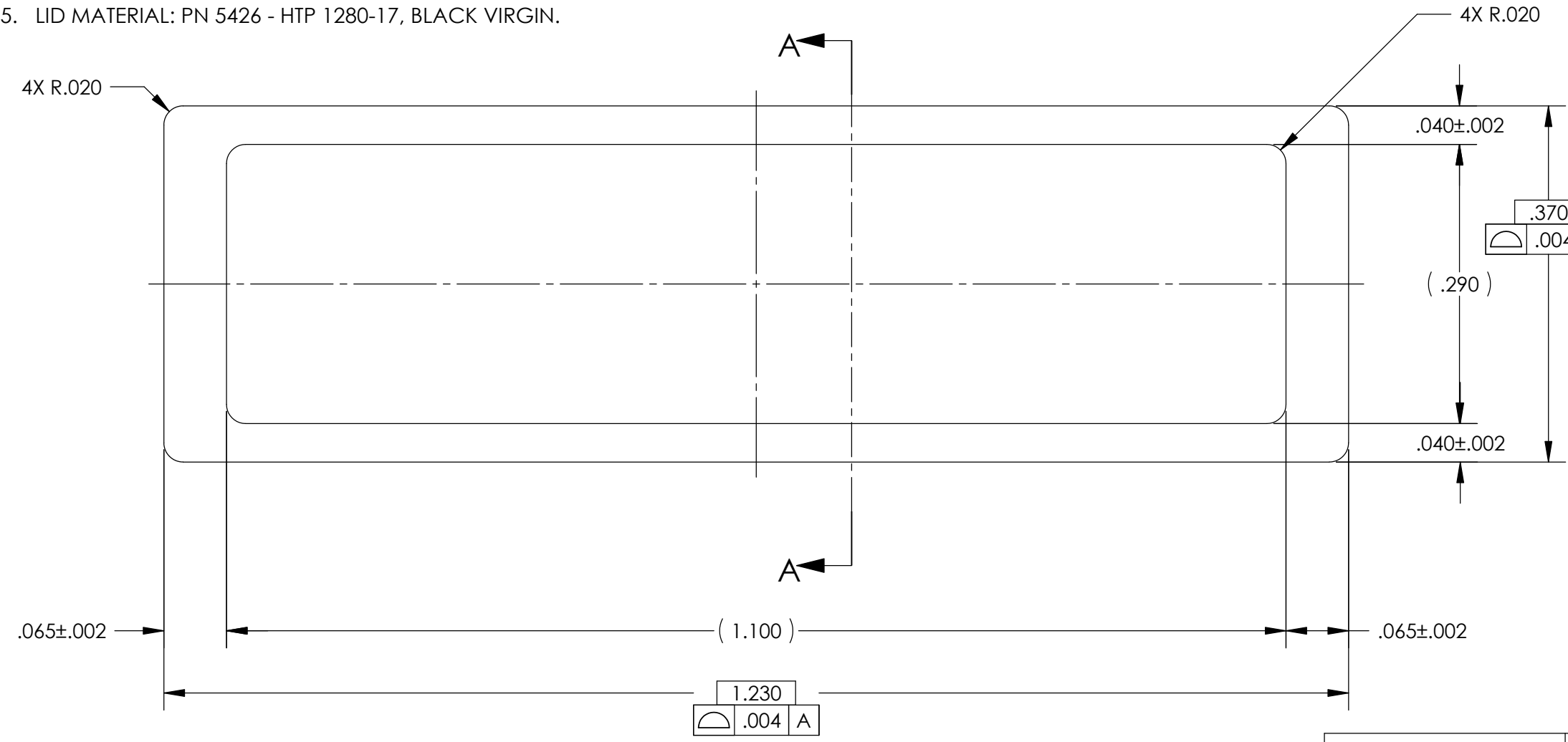


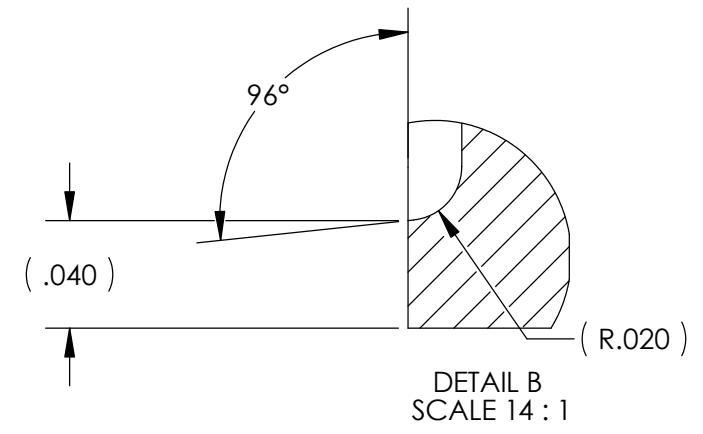
DRAWN	REV.	DESCRIPTION	DATE	APPROVED
CSK	01	INITIAL RELEASE	10/29/04	

NOTES: UNLESS OTHERWISE SPECIFIED,

1. APPLICABLE STANDARDS/SPECIFICATIONS:  
ASME Y14.5M-1994, DIMENSIONING AND TOLERANCING  
ASME Y14.38-1999, ABBREVIATIONS AND ACRONYMS.
2. ALL EDGES AND CORNERS, R.007 MAX.
3. PARTS TO BE CLEAN AND FREE OF FOREIGN MATERIAL.
4. FLASH AND GATE REMNANTS NOT TO EXCEED 5 MILS.
5. LID MATERIAL: PN 5426 - HTP 1280-17, BLACK VIRGIN.




ISOMETRIC VIEW



DETAIL B  
SCALE 14 : 1

TITLE	APPROVAL SIGNATURE	DATE
ENGINEERING		
CUST. SERVICE		
MOLDING MFG.		
QA/DOC. CONTROL		
R&D		

UNLESS OTHERWISE SPECIFIED: ALL DIMS IN INCHES & INCLUDE CHEM. APPLIED/PLATED FINISH. REMOVE BURRS & SHARP EDGES. DO NOT SCALE.		THIS DRAWING CONTAINS INFORMATION THAT IS CONFIDENTIAL AND PROPRIETARY PROPERTY OF R.J.R. POLYMERS, INC., AND ITS DESIGN, DETAIL AND INVENTION, ARE THE PROPERTY OF R.J.R. POLYMERS, INC., SUBMITTED TO THE RECIPIENT IN CONFIDENCE AND SHALL NOT BE COPIED IN ANY MANNER NOR DISCLOSED TO ANY OUTSIDE PARTY WITHOUT THE EXPRESS WRITTEN CONSENT OF AN AUTHORIZED OFFICER OF THIS COMPANY. THEY SHALL BE USED EXCLUSIVELY FOR REFERENCE WORK ON CONTRACTS OR PROPOSALS SUBMITTED BY R.J.R. POLYMERS, INC. AND SHALL BE RETURNED ON REQUEST. THIS DRAWING MUST BE KEPT ONLY IN THE CONFIDENTIAL FILES OF R.J.R. POLYMERS, INC., WHEN NOT IN USE. ALL RIGHTS RESERVED.
TOLERANCES: .XX = ±.005 .XXX = ±.002 ANGLES = ±1°		
MATERIAL:	CAD FILE: LD40170	<b>LID, BLACK PLASTIC, 1.23 X 0.370 X 0.060</b>
SEE NOTES	CLIENT: INTERNAL	
FINISH:	DATE: 09/08/2004	SCALE: NTS
	SIZE: B	DRAWN: C KELLEY
	CHK'D: -	P/N: 5670
		PAGE: 1 of 1
		REV: 01

CONFIDENTIAL

