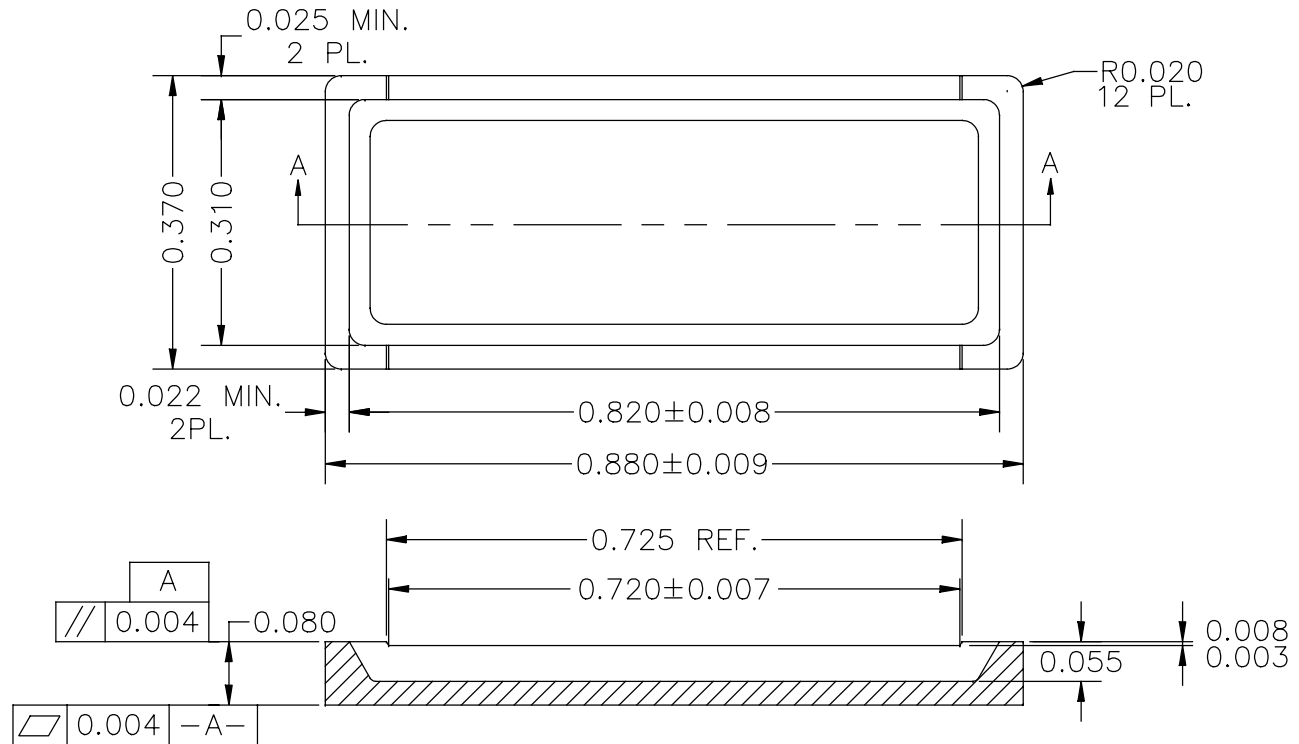


REVISIONS		
REV.	DESCRIPTION	DATE
A	INITIAL RELEASE M.PICKERING	10-26-05

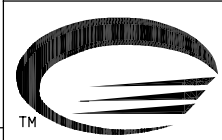


SECTION A-A

APPROVAL SIGNATURES	DATE
Configuration Control	
Design Engineering	
Manufacturing	
Process Engineering	
Purchasing	
Quality Assurance	

TOLERANCES ARE IN INCHES:
(UNLESS OTHERWISE SPECIFIED)
FRACTIONS: ±1/16"
DECIMALS: X.XX = ±0.01
X.XXX = ±0.005

±1°
±1/32"/FT.
0.003"/IN.
DRAFT ≤ 15°-30°
RADI: 0.015 MAX.



THIS DRAWING CONTAINS INFORMATION THAT IS CONFIDENTIAL AND PROPRIETARY PROPERTY OF R.J.R. POLYMERS, INC., AND ITS DESIGN, DETAIL AND INVENTION, ARE THE PROPERTY OF R.J.R. POLYMERS, INC., SUBMITTED TO THE RECIPIENT IN CONFIDENCE AND SHALL NOT BE COPIED IN ANY MANNER NOR DISCLOSED TO ANY OUTSIDE PARTY WITHOUT THE EXPRESS WRITTEN CONSENT OF AN AUTHORIZED OFFICER OF THIS COMPANY. THEY SHALL BE USED EXCLUSIVELY FOR REFERENCE WORK ON CONTRACTS OR PROPOSALS SUBMITTED BY R.J.R. POLYMERS, INC. AND SHALL BE RETURNED ON REQUEST. THIS DRAWING MUST BE KEPT ONLY IN THE CONFIDENTIAL FILES OF R.J.R. POLYMERS, INC., WHEN NOT IN USE. ALL RIGHTS RESERVED.

RJR POLYMERS, INC
7875 EDGEWATER DR., OAKLAND, CA. 94621

0.880 X 0.370 X 0.080
CERAMIC LID

CADFILE: Q:\DRAWINGS\500-5999\5750-5999\5892		CLIENT #		PART/DWG # 5892		REV A		1/1	
DATE 9-30-05	SCALE NTS	DRAWN BY DMG	DWG SIZE A	CHECKED BY					

QTY	ITEM	MATERIAL
-	-	WHITE ALUMINA 96%