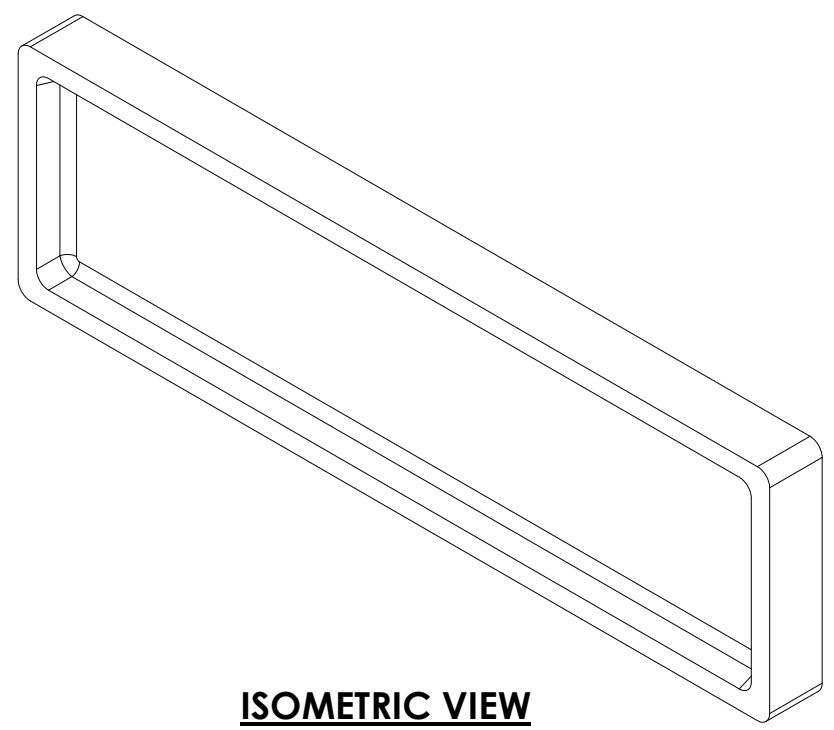
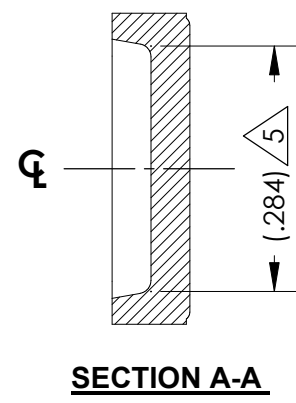
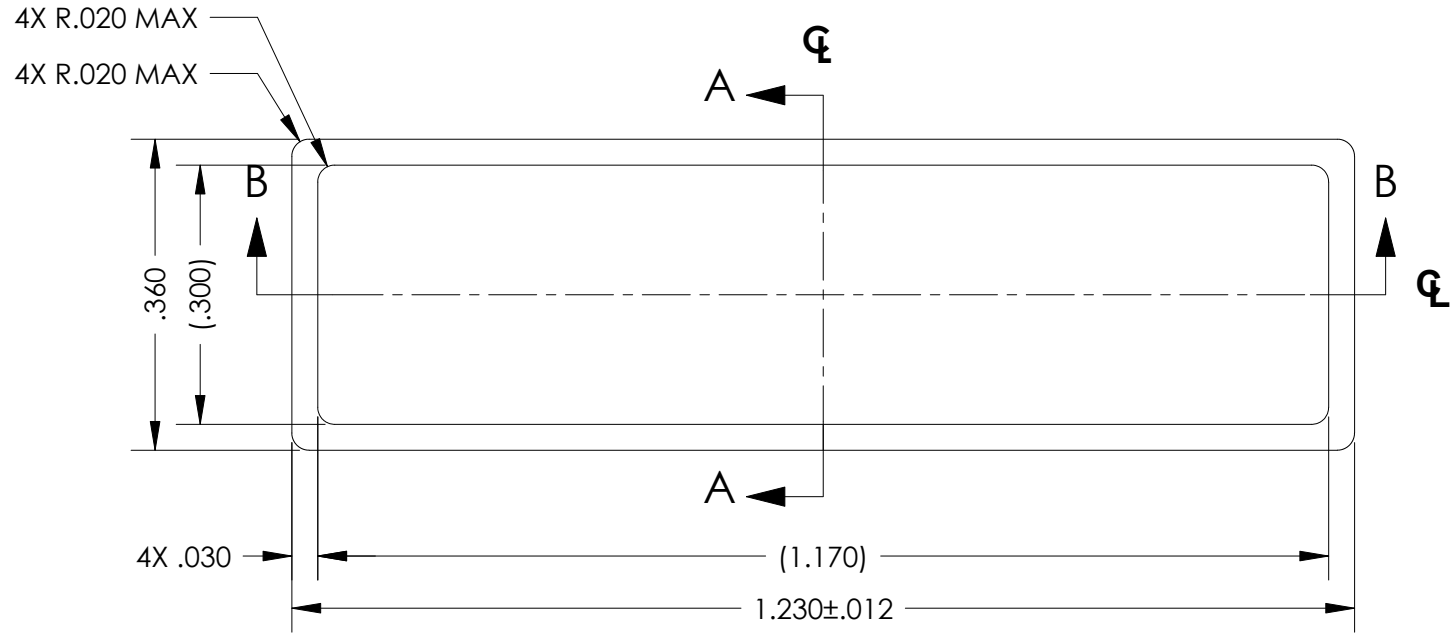
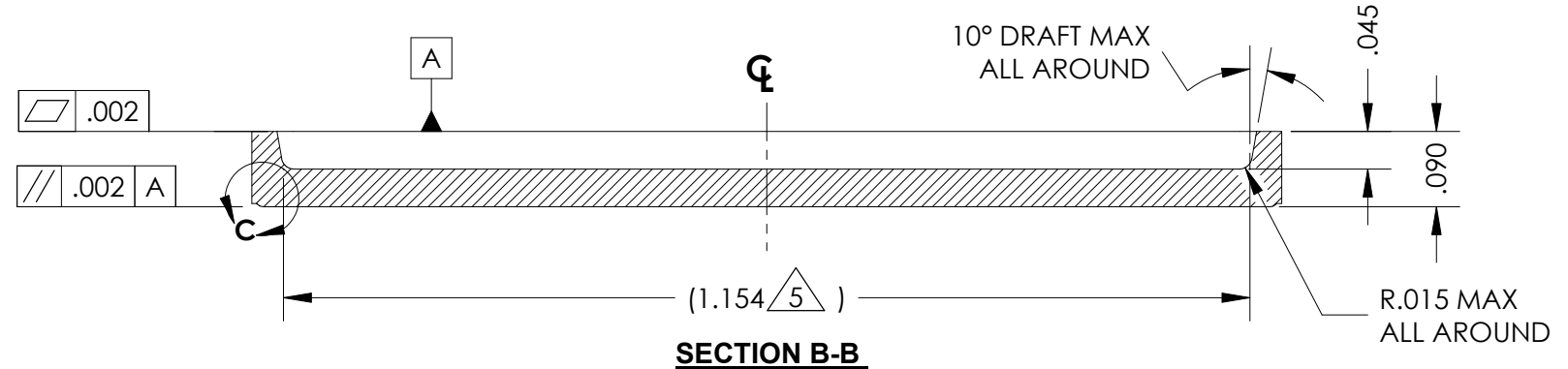


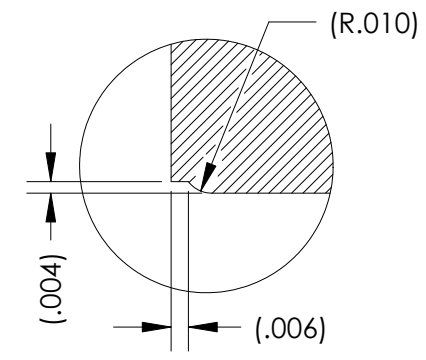
DRAWN	REV.	DESCRIPTION	DATE	APPROVED
JNN	01	INITIAL RELEASE	09-28-07	



ISOMETRIC VIEW



SECTION B-B

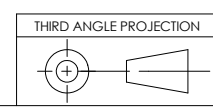



DETAIL C (ALL AROUND)

NOTES: UNLESS OTHERWISE SPECIFIED,

1. APPLICABLE STANDARDS/SPECIFICATIONS:
ASME Y14.5M-1994, DIMENSIONING AND TOLERANCING
ASME Y14.38-1999, ABBREVIATIONS AND ACRONYMS.
2. ALL SHARP EDGES AND CORNERS, R.01 MAX.
3. PARTS TO BE CLEAN AND FREE OF FOREIGN MATERIAL.
4. SEE DOCUMENT STANDARD NOTES SPECIFICATION FOR LIDS,
EUS/KR 10549-PYI 201.
5. DIMENSIONED TO VIRTUAL SHARP.
6. LID MATERIAL: CERAMIC, WHITE ALUMINA 96%.
7. CHIPPING:
SEAL AREA: .028L X .015W X .023D MAX
OTHERS: .028L X .028W X .023D MAX

CONFIDENTIAL



UNLESS OTHERWISE SPECIFIED: ALL DIMS IN INCHES & INCLUDE CHEM. APPLIED/PLATED FINISH. REMOVE BURRS & SHARP EDGES. DO NOT SCALE.		 THIS DRAWING CONTAINS INFORMATION THAT IS CONFIDENTIAL AND PROPRIETARY PROPERTY OF R.J.R. POLYMERS, INC., AND ITS DESIGN, DETAIL AND INVENTION, ARE THE PROPERTY OF R.J.R. POLYMERS, INC., SUBMITTED TO THE RECIPIENT IN CONFIDENCE AND SHALL NOT BE COPIED IN ANY MANNER NOR DISCLOSED TO ANY OUTSIDE PARTY WITHOUT THE EXPRESS WRITTEN CONSENT OF AN AUTHORIZED OFFICER OF THIS COMPANY. THEY SHALL BE USED EXCLUSIVELY FOR REFERENCE WORK ON CONTRACTS OR PROPOSALS SUBMITTED BY R.J.R. POLYMERS, INC. AND SHALL BE RETURNED ON REQUEST. THIS DRAWING MUST BE KEPT ONLY IN THE CONFIDENTIAL FILES OF R.J.R. POLYMERS, INC., WHEN NOT IN USE. ALL RIGHTS RESERVED.	
TOLERANCES: X = ±.02 .XX = ±.01 .XXX = ±.005			
MATERIAL: SEE NOTES		CAD FILE: -	
FINISH: -		CLIENT: -	
DATE: 07-25-07		SCALE: NTS	SIZE: B
DRAWN: NGUYEN		CHK'D: -	P/N: 6244
		PAGE: 1 of 1	REV: 01

LID, 1.230 X .360 X .090