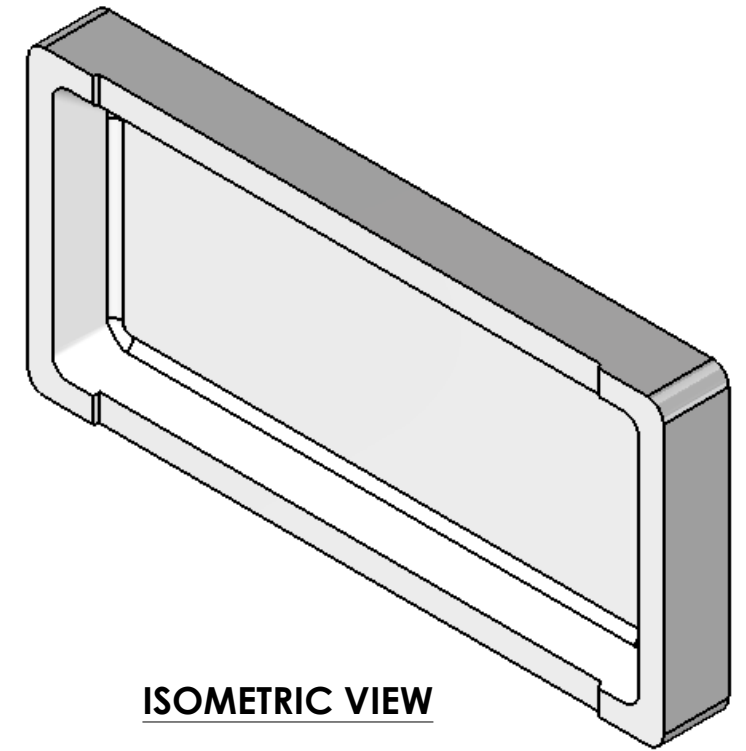
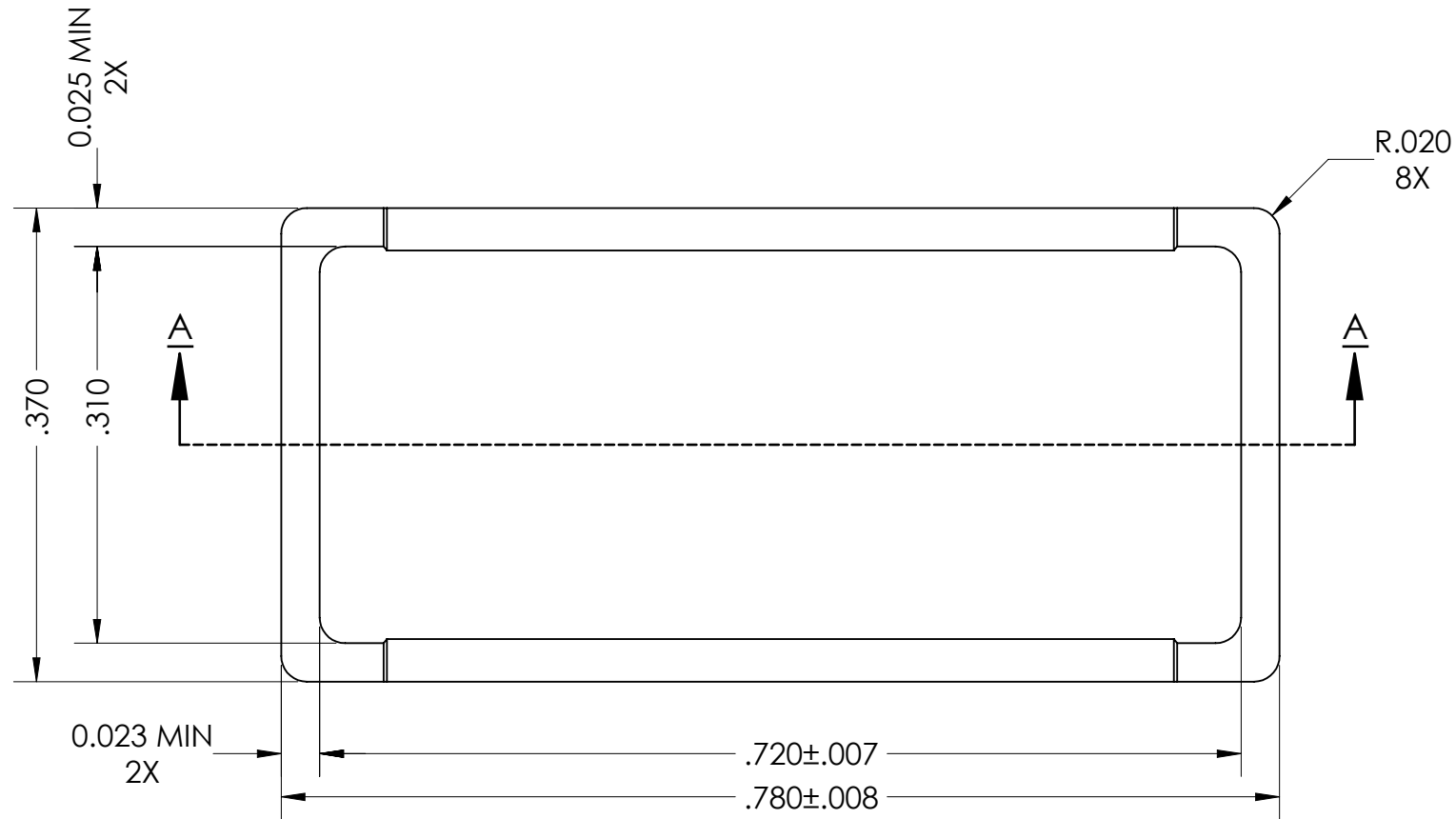
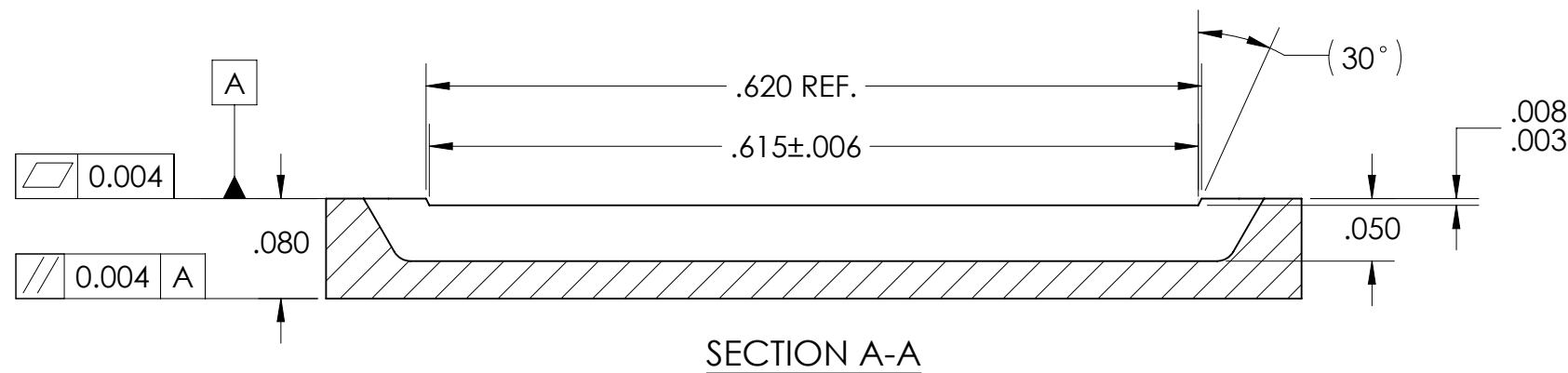


DRAWN	REV.	DESCRIPTION	DATE	APPROVED
L. YU	01	INITIAL RELEASE.	03-29-12	
L. YU	02	CHANGE RADII SPEC TO MATCH CUSTOMER SPEC	04-12-12	



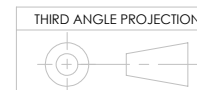
ISOMETRIC VIEW



NOTES: UNLESS OTHERWISE SPECIFIED,

1. APPLICABLE STANDARDS/SPECIFICATIONS:
ASME Y14.5M-1994, DIMENSIONING AND TOLERANCING
ASME Y14.38-1999, ABBREVIATIONS AND ACRONYMS.
2. EDGES AND CORNERS, R.015 MAX.
3. PARTS TO BE CLEAN AND FREE OF FOREIGN MATERIAL.
4. LID MATERIAL: CERAMIC, WHITE ALUMINA 96%

CONFIDENTIAL



UNLESS OTHERWISE SPECIFIED:
ALL DIMS IN INCHES & INCLUDE
CHEM. APPLIED/PLATED FINISH.
REMOVE BURRS & SHARP EDGES.
DO NOT SCALE.

TOLERANCES:
∠ ±1° DRAFT ∠ 15° - 30°
.XX = ±0.01 .XXX = ±0.005

// ± 1/32"/FT. □ 0.003"/IN

MATERIAL:
SEE NOTES

FINISH:
-



RJR POLYMERS, INC.

THIS DRAWING CONTAINS INFORMATION THAT IS CONFIDENTIAL AND PROPRIETARY PROPERTY OF R.J.R. POLYMERS, INC., AND ITS DESIGN, DETAIL AND INVENTION, ARE THE PROPERTY OF R.J.R. POLYMERS, INC., SUBMITTED TO THE RECIPIENT IN CONFIDENCE AND SHALL NOT BE COPIED IN ANY MANNER NOR DISCLOSED TO ANY OUTSIDE PARTY WITHOUT THE EXPRESS WRITTEN CONSENT OF AN AUTHORIZED OFFICER OF THIS COMPANY. THEY SHALL BE USED EXCLUSIVELY FOR REFERENCE WORK ON CONTRACTS OR PROPOSALS SUBMITTED BY R.J.R. POLYMERS, INC. AND SHALL BE RETURNED ON REQUEST. THIS DRAWING MUST BE KEPT ONLY IN THE CONFIDENTIAL FILES OF R.J.R. POLYMERS, INC., WHEN NOT IN USE. ALL RIGHTS RESERVED.

CAD FILE: 6878

CLIENT: -

DATE: 3-29-12

SCALE: NTS

SIZE: B

DRAWN: L. YU

CHK'D: -

P/N: 6878

PAGE: 1 of 1

REV: 02

**0.780 X 0.370 X 0.080
CERAMIC LID**