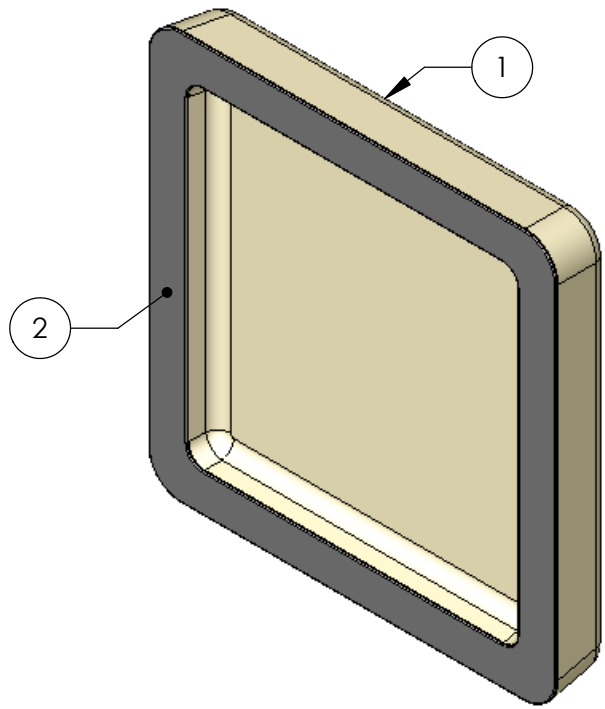


SECTION A-A



ISOMETRIC VIEW

