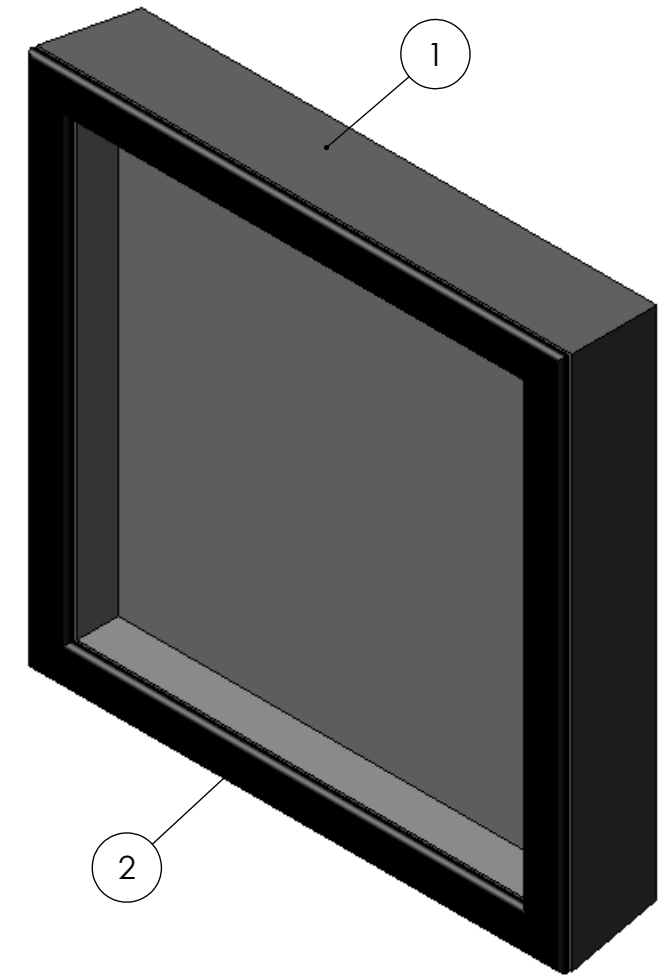
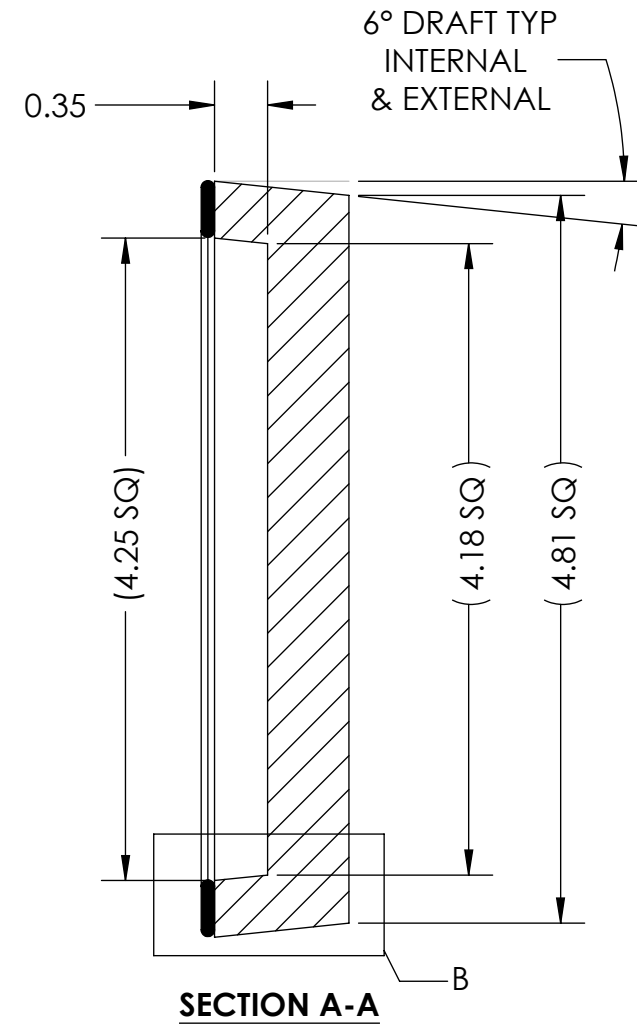
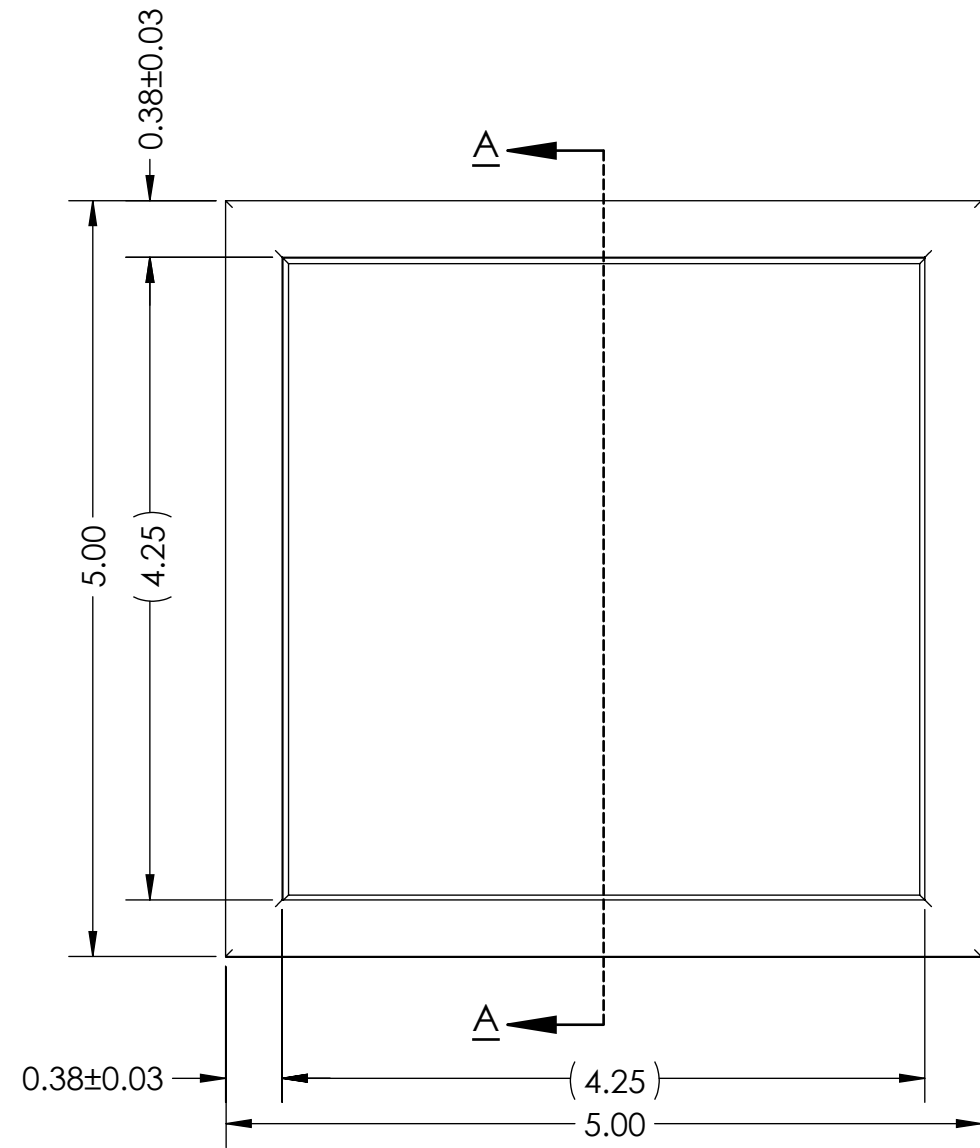


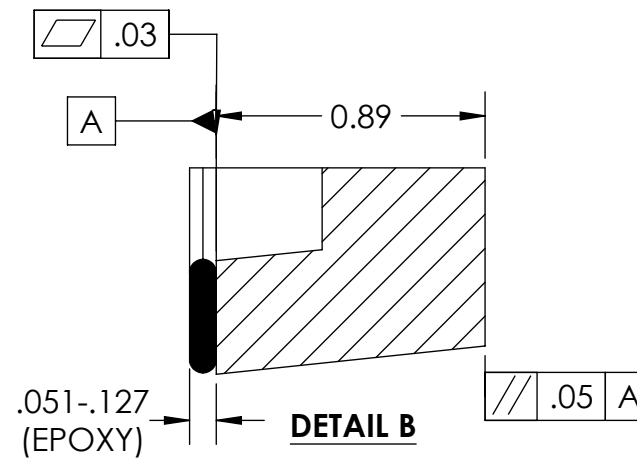
DRAWN	REV.	DESCRIPTION	DATE	APPROVED
L. YU	01	INITIAL RELEASE.	03-16-12	



ISOMETRIC VIEW

NOTES: UNLESS OTHERWISE SPECIFIED,

1. APPLICABLE STANDARDS/SPECIFICATIONS:
ASME Y14.5M-1994, DIMENSIONING AND TOLERANCING
ASME Y14.38-1999, ABBREVIATIONS AND ACRONYMS.
2. ALL EDGES AND CORNERS, R0.15mm MAX.
3. PARTS TO BE CLEAN AND FREE OF FOREIGN MATERIAL.
4. FLASH AND GATE REMNANTS NOT TO EXCEED 0.13mm (.005").
5. SPECIAL PROCESS FOR SEAL SURFACES.



ITEM NO.	QTY.	PART NUMBER	DESCRIPTION
1	1	6759	LID, HTP1335, BLK.
2	A/R	6762	RQFNA RJ4MB-HT BLACK ADHESIVE

UNLESS OTHERWISE SPECIFIED:
ALL DIMS IN MILLIMETERS & INCLUDE
CHEM. APPLIED/PLATED FINISH.
REMOVE BURRS & SHARP EDGES.
DO NOT SCALE.

TOLERANCES:
.X = ±.075
.XX = ±.05
.XXX = ±.025
ANGLES = ±1°

MATERIAL:
SEE BOM

FINISH:
-



RJR POLYMERS, INC.

THIS DRAWING CONTAINS INFORMATION THAT IS CONFIDENTIAL AND PROPRIETARY PROPERTY OF R.J.R. POLYMERS, INC., AND ITS DESIGN, DETAIL AND INVENTION, ARE THE PROPERTY OF R.J.R. POLYMERS, INC., SUBMITTED TO THE RECIPIENT IN CONFIDENCE AND SHALL NOT BE COPIED IN ANY MANNER NOR DISCLOSED TO ANY OUTSIDE PARTY WITHOUT THE EXPRESS WRITTEN CONSENT OF AN AUTHORIZED OFFICER OF THIS COMPANY. THEY SHALL BE USED EXCLUSIVELY FOR REFERENCE WORK ON CONTRACTS OR PROPOSALS SUBMITTED BY R.J.R. POLYMERS, INC. AND SHALL BE RETURNED ON REQUEST. THIS DRAWING MUST BE KEPT ONLY IN THE CONFIDENTIAL FILES OF R.J.R. POLYMERS, INC., WHEN NOT IN USE. ALL RIGHTS RESERVED.

CAD FILE: LQFN55A

CLIENT: -

**LQFN55A LID W/EPOXY
5 X 5 X .89**

DATE: 03-16-12 SCALE: NTS SIZE: B DRAWN: L. YU CHK'D: - P/N: 6760 PAGE: 1 of 1 REV: 01

CONFIDENTIAL

