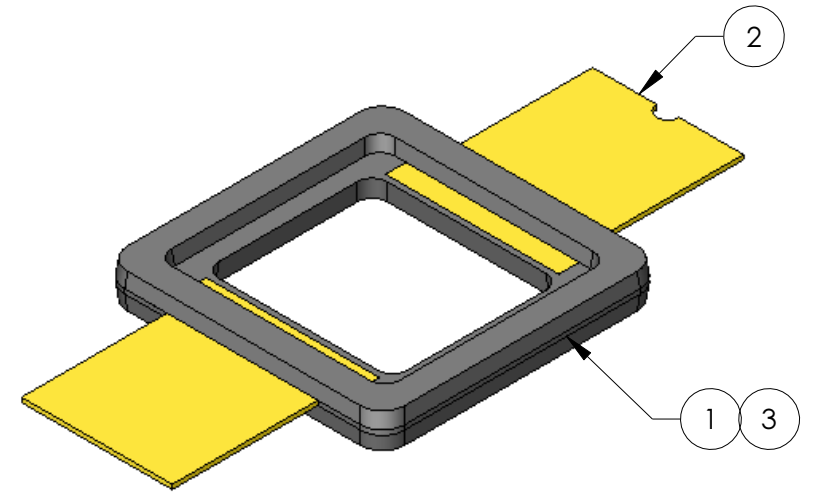
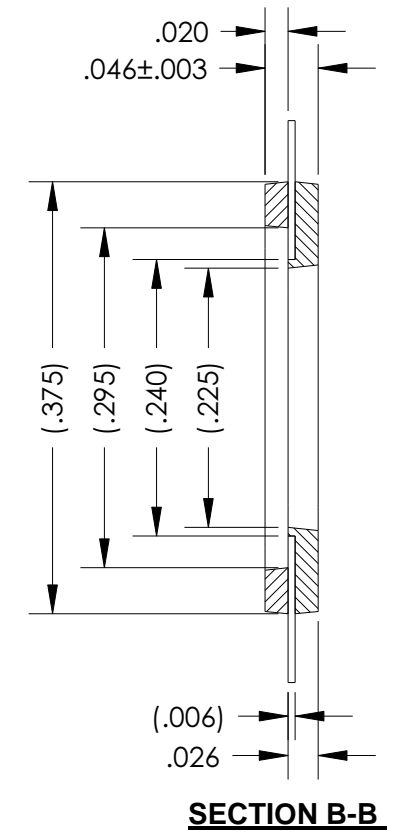
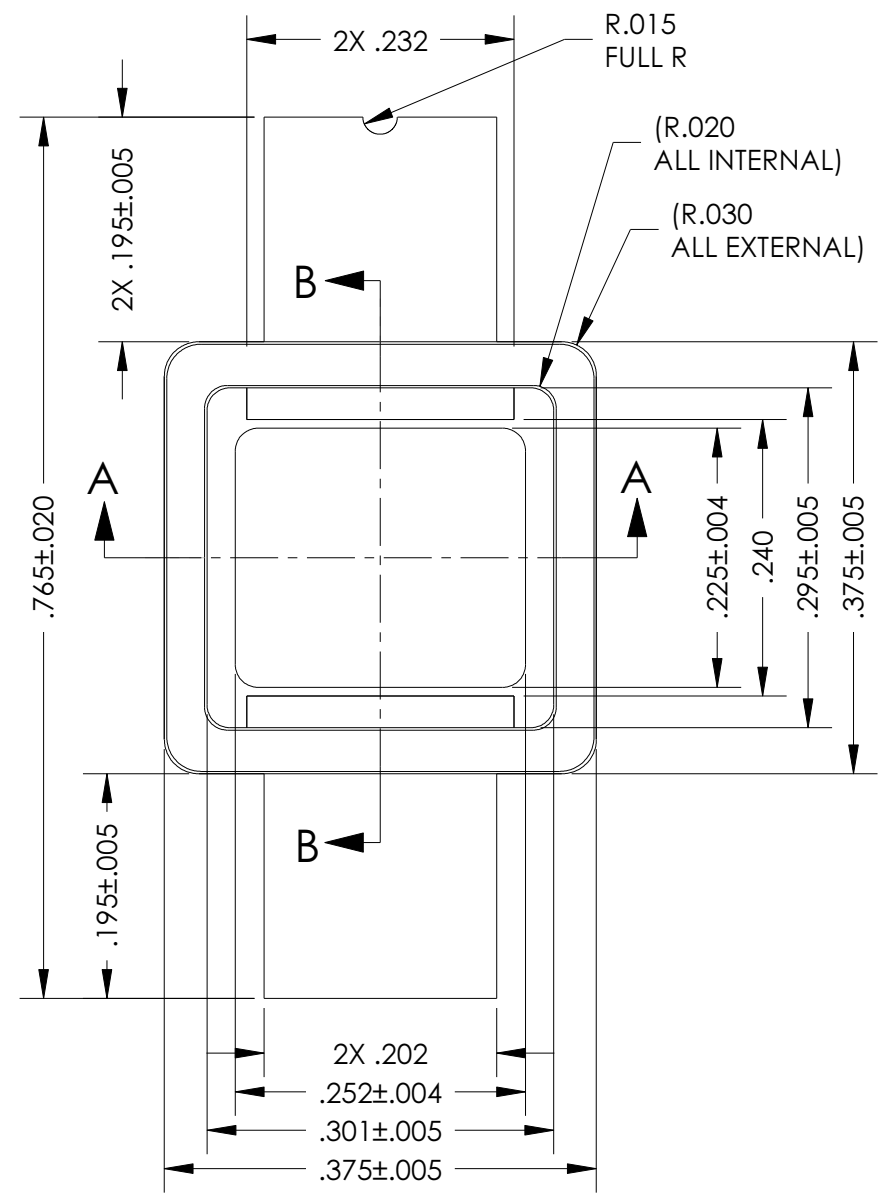
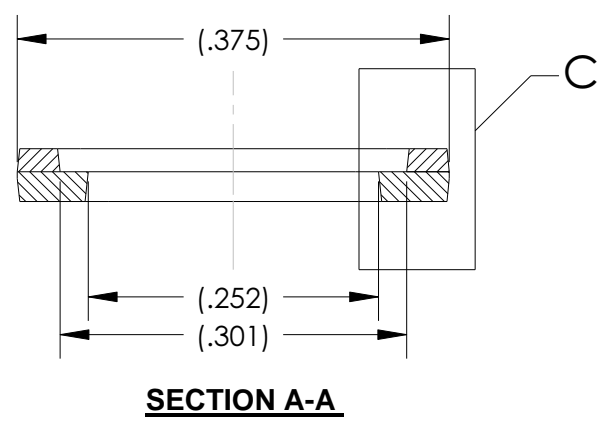
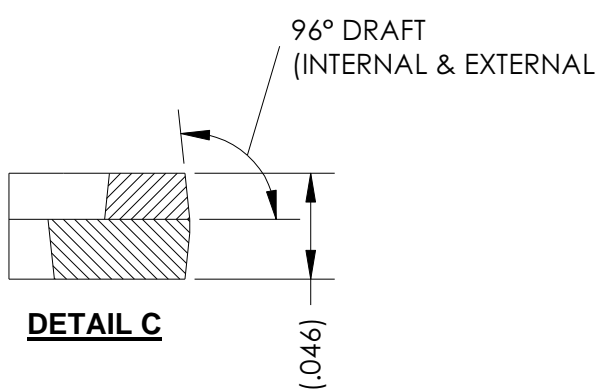


DRAWN	REV.	DESCRIPTION	DATE	APPROVED
D. LAM	01	INITIAL RELEASE	08-20-09	



- NOTES: UNLESS OTHERWISE SPECIFIED,
1. L/F MATERIAL: C194, HH, .006" THK.
 2. PLATING L/F: 30-50u" Au OVER 100u" MIN. Ni.
 3. DIMENSIONS ARE SYMMETRICAL.
 4. TIE-BAR/DAM-BAR REMOVAL: NO INTRUSION ALLOWED INTO THE LEADS. PROTRUDING REMNANTS NOT TO EXCEED .005". BURRS TO FACE UPWARD TOWARD THE TOP OF PACKAGE.



ITEM NO.	QTY.	PART NUMBER	DESCRIPTION
1	A/R	5426	LCP (HTP-1280, BLK)
2	1	6393	LEADFRAME (NOTE 1)
3	A/R	6104	B-STAGE EPOXY (RJ4MB-V2)

UNLESS OTHERWISE SPECIFIED:
ALL DIMS IN INCHES & INCLUDE CHEM. APPLIED/PLATED FINISH. REMOVE BURRS & SHARP EDGES. DO NOT SCALE.

TOLERANCES:
.XX = ±.005
.XXX = ±.002
ANGLES = ±1°

MATERIAL: SEE NOTES
FINISH: -

THIS DRAWING CONTAINS INFORMATION THAT IS CONFIDENTIAL AND PROPRIETARY PROPERTY OF R.J.R. POLYMERS, INC., AND ITS DESIGN, DETAIL AND INVENTION, ARE THE PROPERTY OF R.J.R. POLYMERS, INC., SUBMITTED TO THE RECIPIENT IN CONFIDENCE AND SHALL NOT BE COPIED IN ANY MANNER NOR DISCLOSED TO ANY OUTSIDE PARTY WITHOUT THE EXPRESS WRITTEN CONSENT OF AN AUTHORIZED OFFICER OF THIS COMPANY. THEY SHALL BE USED EXCLUSIVELY FOR REFERENCE WORK ON CONTRACTS OR PROPOSALS SUBMITTED BY R.J.R. POLYMERS, INC. AND SHALL BE RETURNED ON REQUEST. THIS DRAWING MUST BE KEPT ONLY IN THE CONFIDENTIAL FILES OF R.J.R. POLYMERS, INC., WHEN NOT IN USE. ALL RIGHTS RESERVED.

RJR POLYMERS, INC.

CAD FILE: LD2-56-00
CLIENT: -
DATE: 08-14-09
SCALE: NTS
SIZE: B
DRAWN: D. LAM
CHK'D: -
P/N: SW0375-2-A
PAGE: 1 of 1
REV: 01

PACKAGE OUTLINE

THIRD ANGLE PROJECTION