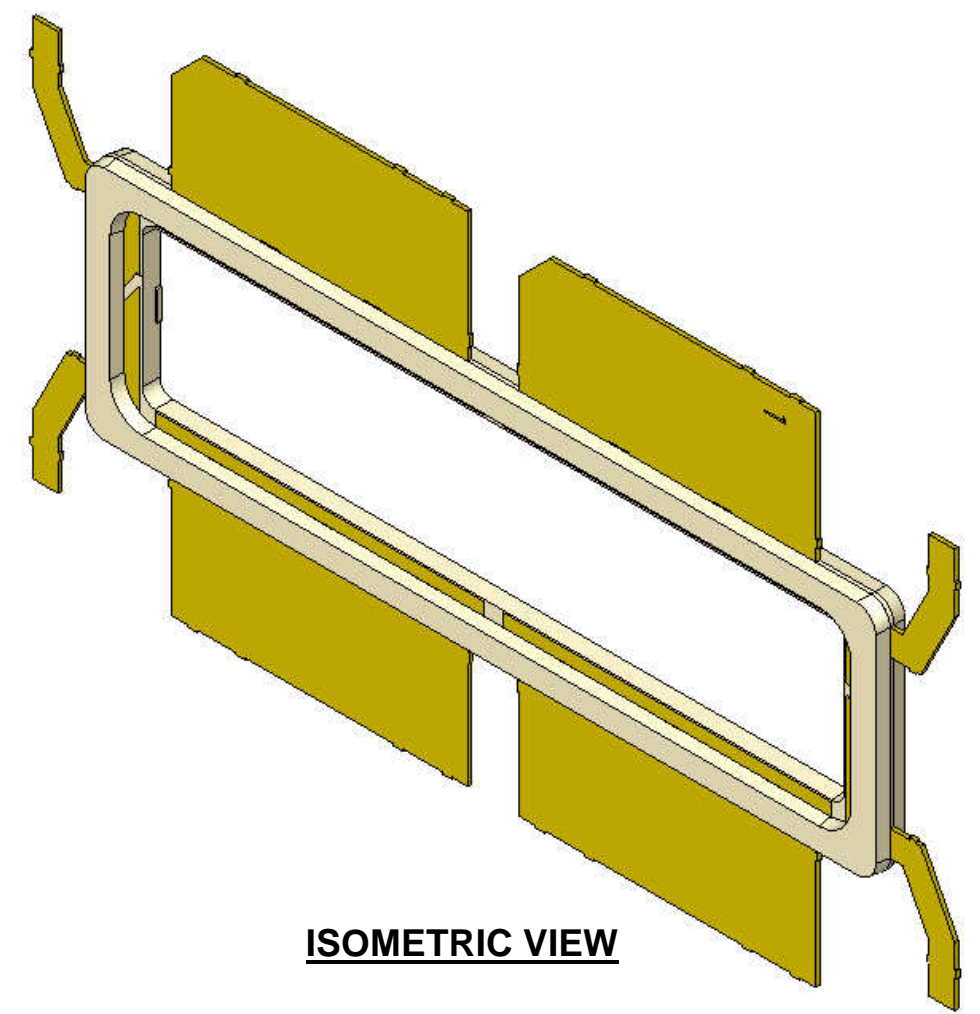
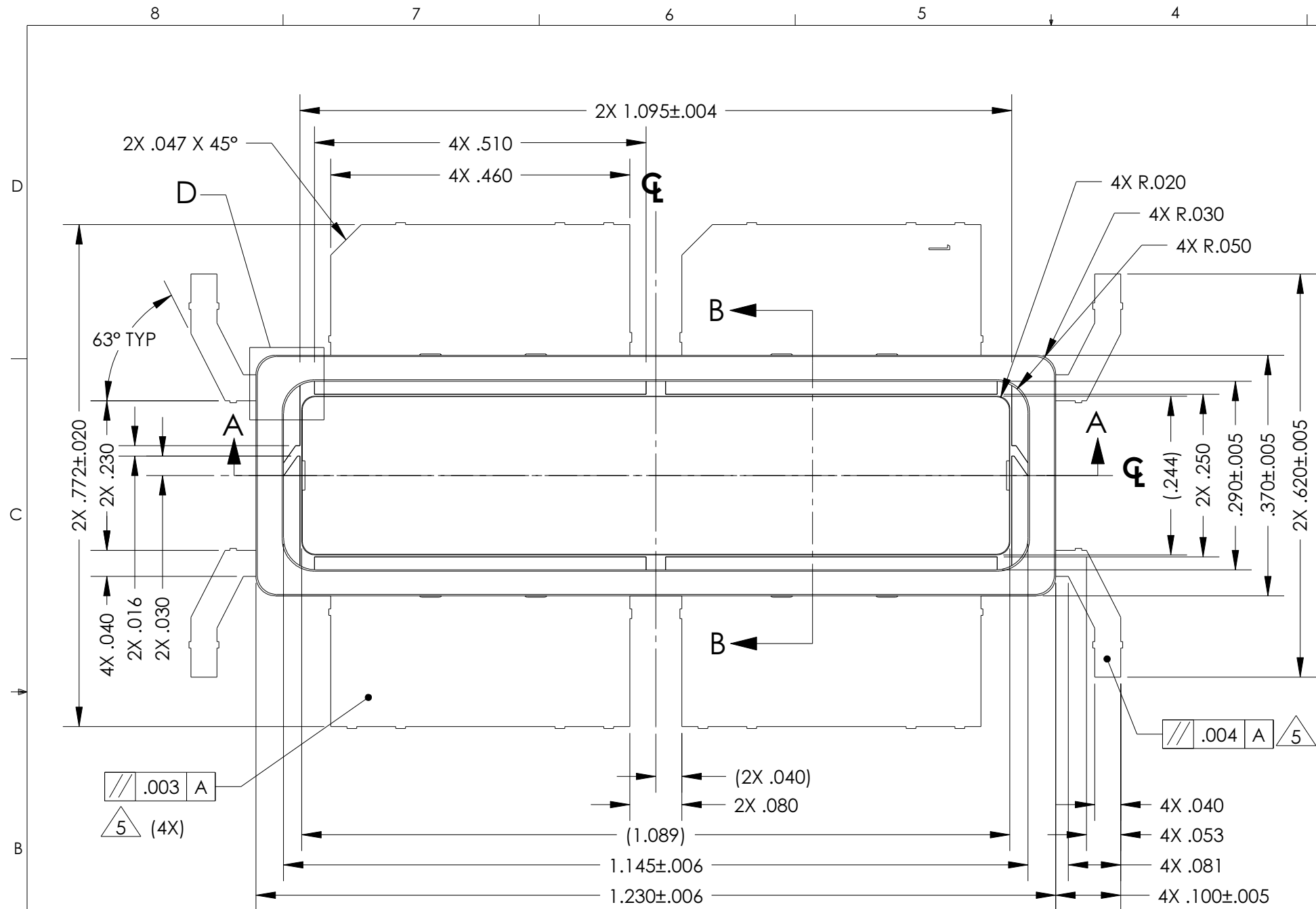
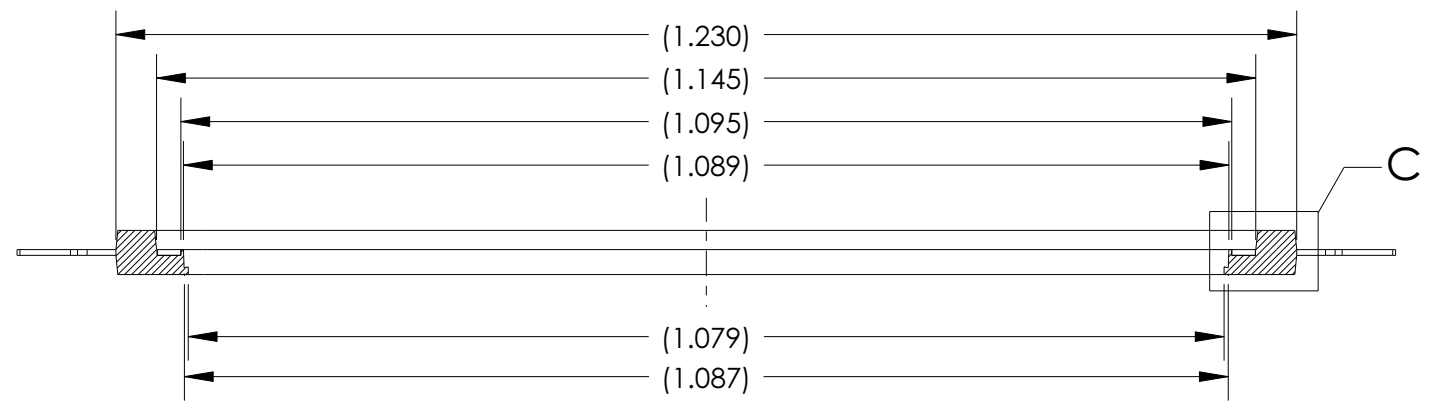


DRAWN	REV.	DESCRIPTION	DATE	APPROVED
D. LAM	01	INITIAL RELEASE.	11-28-11	

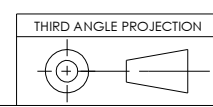



ISOMETRIC VIEW

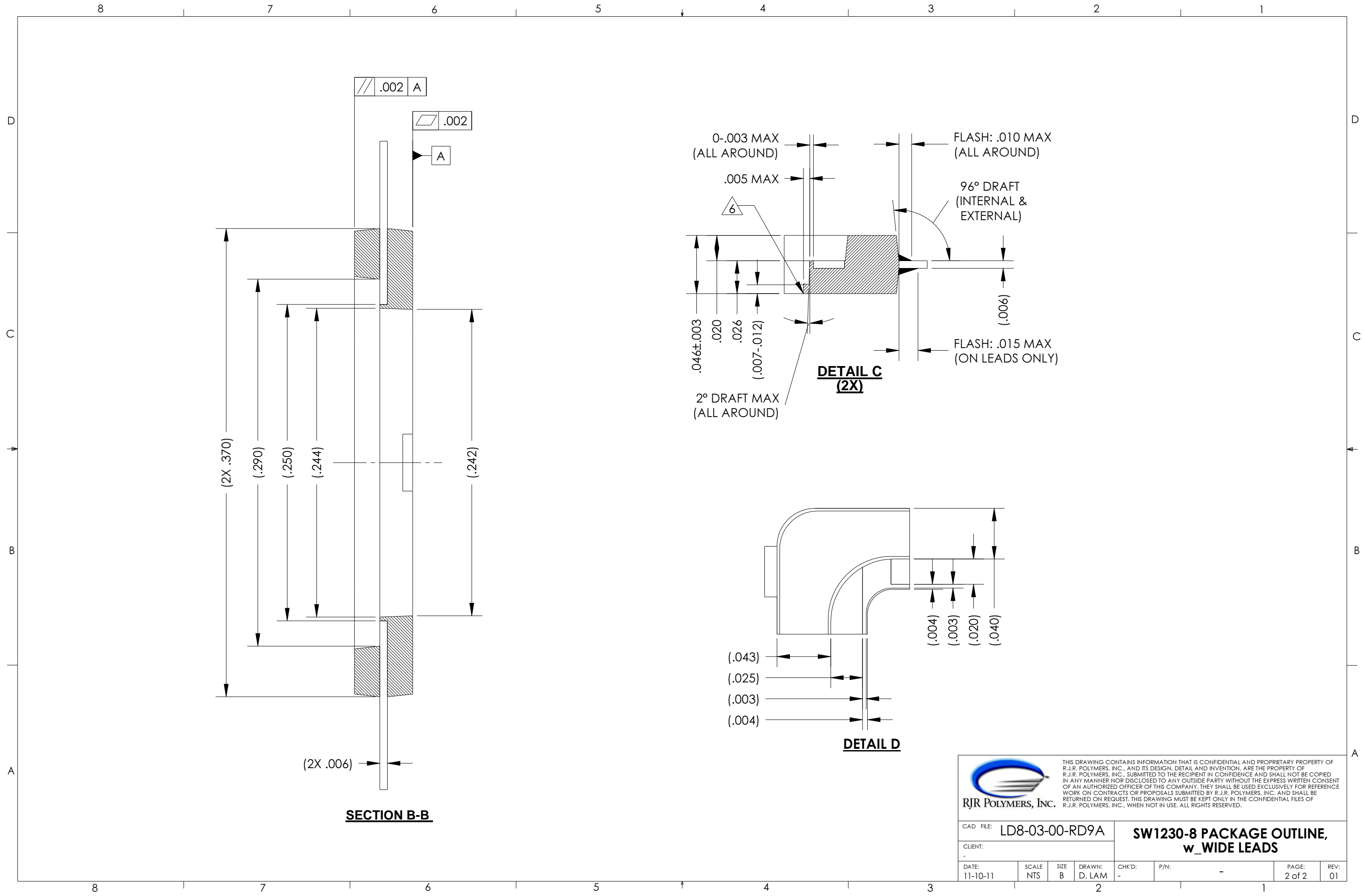
- NOTES: UNLESS OTHERWISE SPECIFIED,
1. L/F MATERIAL: C7025, H/H, .006" THK.
 2. PLATING L/F: 30-50u" Au OVER 100u" MIN. Ni
 3. DIMENSIONS ARE SYMMETRICAL.
 4. TIE-BAR/DAM-BAR REMOVAL: NO INTRUSION ALLOWED INTO THE LEADS. PROTRUDING VESTIGE NOT TO EXCEED .005".
 5. PARALLELISM TO BE MEASURED WITHIN .050" OF MOLDED SIDEWALL.
 6. "BURRS" FROM GATE REMOVAL PROCESS NOT TO EXCEED .003".



SECTION A-A



<small>UNLESS OTHERWISE SPECIFIED: ALL DIMS IN INCHES & INCLUDE CHEM. APPLIED/PLATED FINISH. REMOVE BURRS & SHARP EDGES. DO NOT SCALE.</small> <small>TOLERANCES: .XX = ±.005 .XXX = ±.002 ANGLES = ±1°</small>	 <small>THIS DRAWING CONTAINS INFORMATION THAT IS CONFIDENTIAL AND PROPRIETARY PROPERTY OF R.J.R. POLYMERS, INC., AND ITS DESIGN, DETAIL AND INVENTION, ARE THE PROPERTY OF R.J.R. POLYMERS, INC., SUBMITTED TO THE RECIPIENT IN CONFIDENCE AND SHALL NOT BE COPIED IN ANY MANNER NOR DISCLOSED TO ANY OUTSIDE PARTY WITHOUT THE EXPRESS WRITTEN CONSENT OF AN AUTHORIZED OFFICER OF THIS COMPANY. THEY SHALL BE USED EXCLUSIVELY FOR REFERENCE WORK ON CONTRACTS OR PROPOSALS SUBMITTED BY R.J.R. POLYMERS, INC. AND SHALL BE RETURNED ON REQUEST. THIS DRAWING MUST BE KEPT ONLY IN THE CONFIDENTIAL FILES OF R.J.R. POLYMERS, INC., WHEN NOT IN USE. ALL RIGHTS RESERVED.</small>	
	MATERIAL: SEE NOTES FINISH: -	CAD FILE: LD8-03-00-RD9A CUENT: -
DATE: 11-10-11 SCALE: NTS SIZE: B DRAWN: D. LAM	CHK'D: - P/N: -	PAGE: 1 of 2 REV: 01



SECTION B-B

**DETAIL C
(2X)**

DETAIL D

RJR POLYMERS, INC.
 THIS DRAWING CONTAINS INFORMATION THAT IS CONFIDENTIAL AND PROPRIETARY PROPERTY OF R.J.R. POLYMERS, INC., AND ITS DESIGN, DETAIL AND INVENTION, ARE THE PROPERTY OF R.J.R. POLYMERS, INC., SUBMITTED TO THE RECIPIENT IN CONFIDENCE AND SHALL NOT BE COPIED IN ANY MANNER NOR DISCLOSED TO ANY OUTSIDE PARTY WITHOUT THE EXPRESS WRITTEN CONSENT OF AN AUTHORIZED OFFICER OF THIS COMPANY. THEY SHALL BE USED EXCLUSIVELY FOR REFERENCE WORK ON CONTRACTS OR PROPOSALS SUBMITTED BY R.J.R. POLYMERS, INC. AND SHALL BE RETURNED ON REQUEST. THIS DRAWING MUST BE KEPT ONLY IN THE CONFIDENTIAL FILES OF R.J.R. POLYMERS, INC., WHEN NOT IN USE. ALL RIGHTS RESERVED.

CAD FILE: LD8-03-00-RD9A		SW1230-8 PACKAGE OUTLINE, w_WIDE LEADS			
CLIENT: -					
DATE: 11-10-11	SCALE: NTS	SIZE: B	DRAWN: D. LAM	CHK'D: -	P/N: -
				PAGE: 2 of 2	REV: 01